

**Ersatzteilliste  
Spare Parts List  
Liste des pièces de rechange**

# **HDS 550 C**

**1.793-681.0 HDS 550 C 115V**

GRUPPE: 1.0 EINZELTEILE  
GROUP: 1.0 PIECE PARTS  
GRUPPE: 1.0 PIECES CONSTITUANTES

**A1**

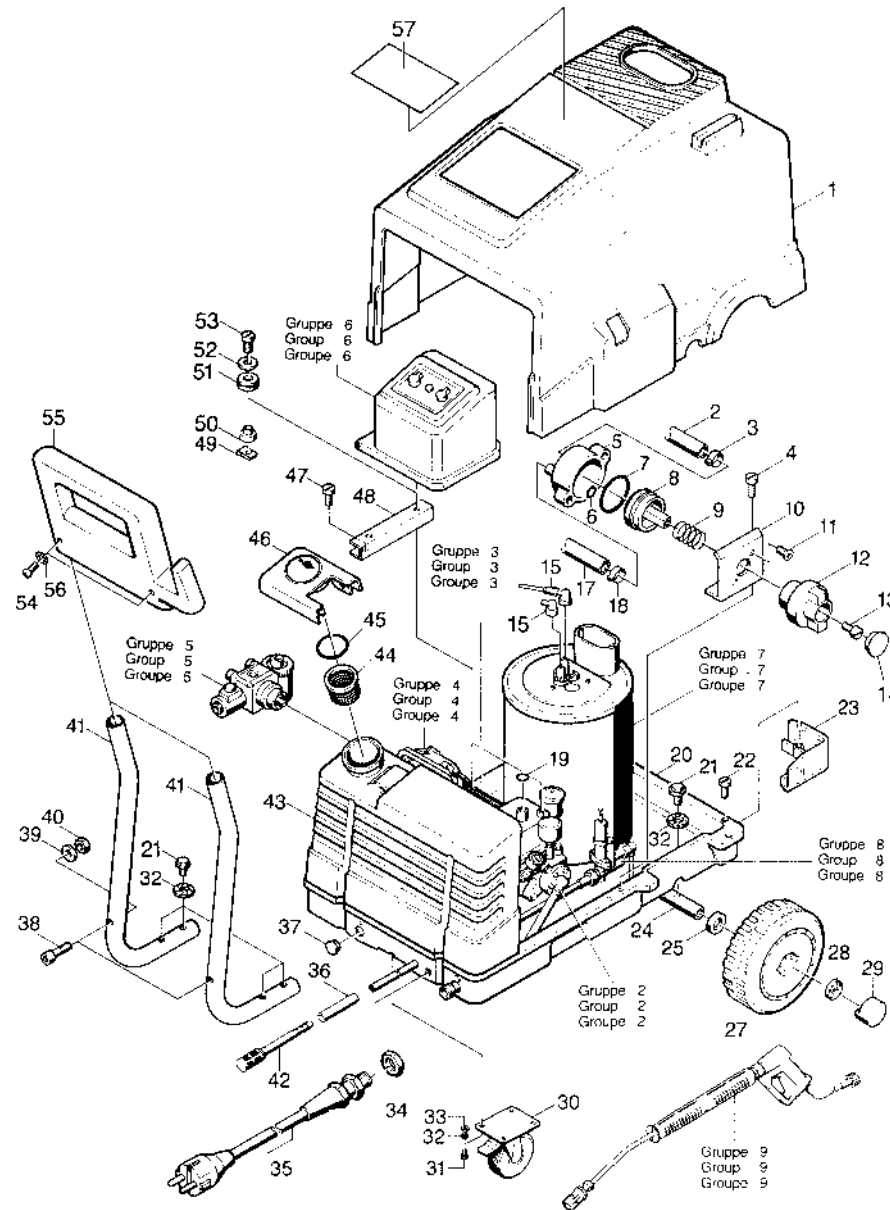
**HDS 550 C**

**GRUPPE: 1.0 EINZELTEILE**  
**GROUP: 1.0 PIECE PARTS**  
**GRUPPE: 1.0 PIECES CONSTITUANTES**

GRUPPE: 1.1 EINZELTEILE // => 13300  
GROUP: 1.1 PIECE PARTS // => 13300  
GRUPPE: 1.1 PIÈCES CONSTITUANTES // => 13300

B1

HDS 550 C



Symbolbeschreibung siehe M16 / symbol description see M16 / désignation de système voir M16 /

GRUPPE: 1.1 EINZELTEILE / / => 13300  
 GROUP: 1.1 PIECE PARTS / / => 13300  
 GROUPE: 1.1 PIECES CONSTITUANTES / / => 13300

C1

HDS 550 C

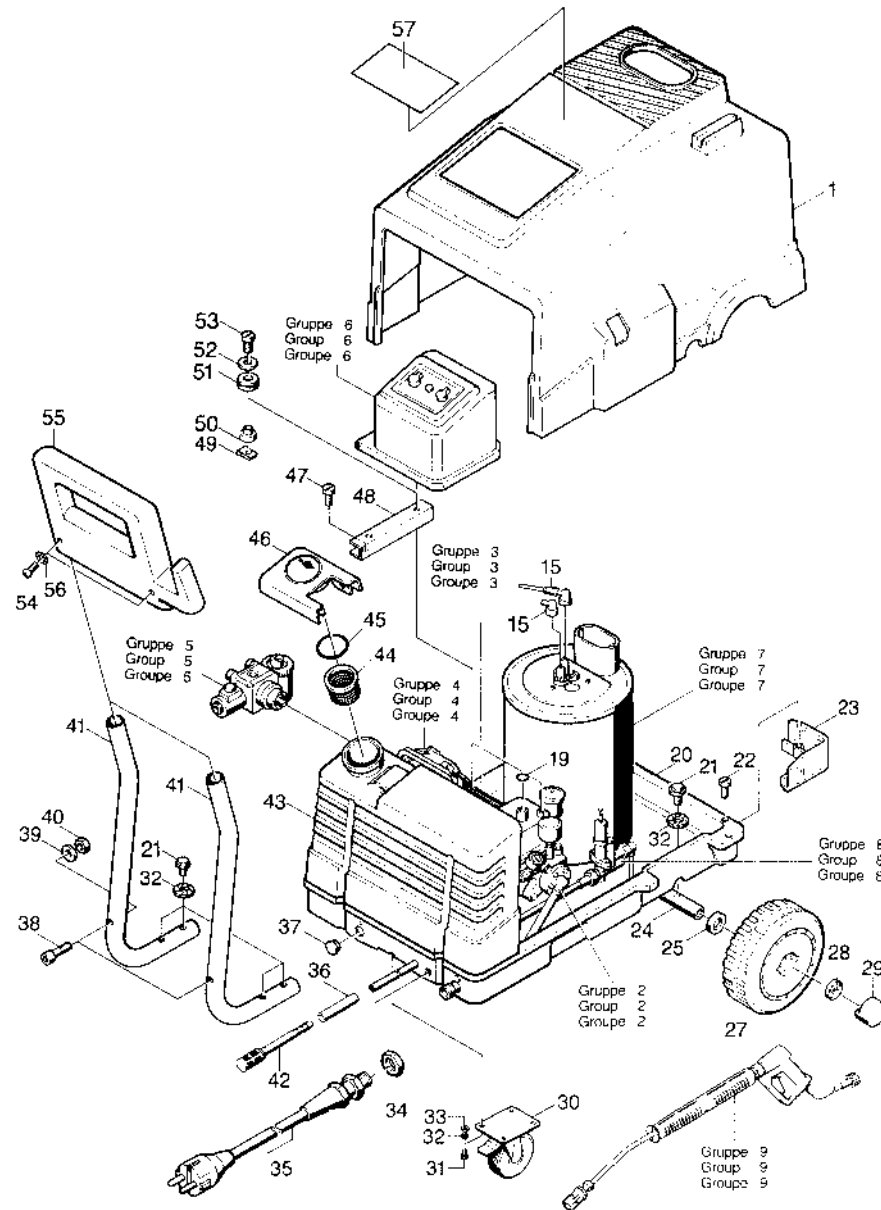
POS. ITM. POS.	BENNENNUNG DESCRIPTION DESIGNATION	TEILE-NR. PART-NO. NO.PIECE	STCK QTY. NBR.	POS. ITM. POS.	BENNENNUNG DESCRIPTION DESIGNATION	TEILE-NR. PART-NO. NO.PIECE	STCK QTY. NBR.
1	HAUBE / COVER / CAPOT	5.066-225.0	1	36	ROHR / PIPE / TUYAU	5.025-747.0	1
2	SCHLAUCH DN 7 / HOSE / TUYAU FLEXIBLE	6.388-225.0	2	37	ABDECKKAPPE / CAP / CHAPE	6.368-127.0	1
3	SCHLAUCHSCHELLE / HOSE BAND CLIP / COLLIER DE SERRAGE	6.388-559.0	1	38	ZYL.SCHR. M 6X 45 / CHEESE HEAD SCREW / VIS A TETE CYLINDR.	7.306-026.0	2
4	BL.SCHR. ST4,8X13 / SHEET METAL SCREW / VIS A TOLE	7.303-076.0	2	39	SCHEIBE 6 / WASHER / RONDELLE	7.312-260.0	2
5	VENTILGEHAUSE / VALVE HOUSING / CORPS DE SOUPAPE	5.587-054.0	1	40	6KT-MUTTER M 6 / HEXAGON NUT / ECROU HEXAGONAL	7.311-512.0	2
6	O-RING 5 X 1,5 / GASKET / BAQUE D'ETANCHEITE	6.362-386.0	1	41	GRIFF / HANDLE / POIGNEE	5.321-239.0	2
7	O-RING 26,0 X 2,5 / GASKET / BAQUE D'ETANCHEITE	6.362-385.0	1	42	FILTER / FILTER / FILTRE	6.414-136.0	1
8	VENTILSITZ / VALVE SEAT / SIEGE DE SOUPAPE	5.581-039.0	1	43	TANK / TANK / RESERVOIR	5.071-037.0	1
9	SCHRAUBENFEDER / HELICAL SPRING / RESSORT CYLINDRIQUE	5.332-028.0	1	44	SIEB / STRAINER / CREPINE	6.414-340.0	1
10	HALTER / BRACKET / FIXATION	5.042-449.0	1	45	O-RING 47,0 X 4,5 / GASKET / BAQUE D'ETANCHEITE	6.362-490.0	1
11	SENKSCHR. M 4X 12 / FLAT HEADED SCREW / VIS A TETE CONIQUE	7.305-255.0	2	46	DECKEL / COVER / COUVERCLE	5.063-326.0	1
12	GRIFF / HANDLE / POIGNEE	5.321-264.0	1	47	SCHRAUBE M 5X 16 / SCREW / VIS	7.303-039.0	2
13	BL.SCHR. ST4,2X13,0 / SHEET METAL SCREW / VIS A TOLE	7.303-352.0	1	48	U-PROFIL / U-PROFILE / PROFILE EN U	5.057-035.0	1
14	STOPFEN / PLUG / BOUCHON	5.132-010.0	1	49	BLECHMUTTER / NUT / ECROU	6.310-034.0	2
15	KERZENSTECKER / SPARK PLUG SOCKET / COSSE DE BOUGIE	6.618-057.0	2	50	HUELSE / SLEEVE / DOUILLE	5.110-357.0	2
17	SCHLAUCH DN 7 / HOSE / TUYAU FLEXIBLE	6.388-194.0	1	51	GUMMIRING / RUBBER RING / RONDELLE CAOUTCHOUC	5.379-013.0	4
18	SCHLAUCHSCHELLE / HOSE BAND CLIP / COLLIER DE SERRAGE	6.388-515.0	1	52	SCHEIBE 5 / WASHER / RONDELLE	7.312-264.0	4
19	DICHTRING / JOINT RING / BAGUE D'ETANCHEITE	5.363-224.0	1	53	BL.SCHR. ST4,8X22,0 / SHEET METAL SCREW / VIS A TOLE	7.303-366.0	4
20	RAHMEN / FRAME / CADRE	5.050-032.0	1	54	SCHRAUBE M 6X 20 / SCREW / VIS	6.303-105.0	2
21	SCHRAUBE M 8X 16 / SCREW / VIS	6.303-031.0	6	55	GRIFF / HANDLE / POIGNEE	5.321-238.0	1
22	BL.SCHR. ST4,8X19 / SHEET METAL SCREW / VIS A TOLE	7.303-078.0	4	56	SCHEIBE 6 / WASHER / RONDELLE	7.312-291.0	2
23	GRIFF / HANDLE / POIGNEE	5.321-249.0	2	57	SCHILD BEDIENUNG / DECAL / PLAQUE	5.386-750.0	1
24	ACHSE / AXLE / ESSIEU	5.105-086.0	1				
25	HUELSE / SLEEVE / DOUILLE	5.110-358.0	2				
27	RAD / WHEEL / ROUE	5.515-011.0	2				
28	SICHERUNGSSCHEIBE / LOCK WASHER / RONDELLE D'ARRET	6.343-162.0	2				
29	KAPPE / CAP / CAPUCHON	5.392-013.0	2				
30	LENKROLLE / CASTOR / ROUE PIVOTANTE	6.435-116.0	1				
31	6KT-SCHR. M 8X 16 / HEXAGONAL HEAD SCREW / VIS HEXAGONAL	7.304-395.0	4				
32	ZAHNSCHEIBE A 8,4 / LOCK WASHER / ROUE PLATE	7.312-166.0	11				
33	6KT-MUTTER M 8 / HEXAGON NUT / ECROU HEXAGONAL	7.311-004.0	4				
34	GEGENMUTTER PG13.5 / COUNTERNUT / CONTRE-ECROU	6.641-480.0	1				
35	KABEL / CABLE / CABLE	4.820-279.0	1				

"=> xxxxxx" = bis Werknummer / up to serial No. / jusqu' au No. de fabr. / "xxxxxx =>" = ab Werknummer / from serial No. / a partir du No. de fabr. /

GRUPPE: 1.2 EINZELTEILE / 13300 =>  
GROUP: 1.2 PIECE PARTS / 13300 =>  
GRUPPE: 1.2 PIÈCES CONSTITUANTES / 13300 =>

D1

HDS 550 C



Symbolbeschreibung siehe M16 / symbol description see M16 / désignation de système voir M16 /

GRUPPE: 1.2 EINZELTEILE / 13300 =>  
 GROUP: 1.2 PIECE PARTS / 13300 =>  
 GROUPE: 1.2 PIECES CONSTITUANTES / 13300 =>

E1

HDS 550 C

POS. ITM. POS.	BENNENNUNG DESCRIPTION DESIGNATION	TEILE-NR. PART-NO. NO.PIECE	STCK QTY. NBR.	POS. ITM. POS.	BENNENNUNG DESCRIPTION DESIGNATION	TEILE-NR. PART-NO. NO.PIECE	STCK QTY. NBR.
1	HAUBE / COVER / CAPOT	5.066-307.0	1	50	HUELSE / SLEEVE / DOUILLE	5.110-357.0	2
2	HALTER / BRACKET / FIXATION	5.042-462.0	2	51	GUMMIRING / RUBBER RING / RONDELLE CAOUTCHOUC	5.379-013.0	4
6	HALTER / BRACKET / FIXATION	5.042-464.0	2	52	SCHEIBE 5 / WASHER / RONDELLE	7.312-264.0	4
15	KERZENSTECKER / SPARK PLUG SOCKET / COSSE DE BOUGIE	6.618-057.0	2	53	BL.SCHR. ST4,8X22,0 / SHEET METAL SCREW / VIS A TOLE	7.303-366.0	4
18	BOLZEN / BOLT / BOULON	5.316-240.0	2	54	SCHRAUBE M 6X 20 / SCREW / VIS	6.303-105.0	2
19	DICHTRING / JOINT RING / BAGUE D'ETANCHEITE	5.363-224.0	1	55	GRIFF / HANDLE / POIGNEE	5.321-238.0	1
20	RAHMEN / FRAME / CADRE	5.050-032.0	1	56	SCHEIBE 6 / WASHER / RONDELLE	7.312-291.0	2
21	SCHRAUBE M 8X 16 / SCREW / VIS	6.303-031.0	6	57	SCHILD BEDIENUNG / DECAL / PLAQUE	5.386-750.0	1
22	BL.SCHR. ST4,8X19 / SHEET METAL SCREW / VIS A TOLE	7.303-078.0	4				
23	GRIFF RECHTS / HANDLE / POIGNEE	5.321-278.0	1				
23	GRIFF LINKS / HANDLE / POIGNEE	5.321-280.0	1				
24	ACHSE / AXLE / ESSIEU	5.105-086.0	1				
25	HUELSE / SLEEVE / DOUILLE	5.110-358.0	2				
27	SCHEIBENRAD D 250 / WEB DISC WHEEL / ROUE PLEINE	6.435-072.0	2				
28	SCHNELLBEFESTIGER / QUICK-FASTENER / ATTACHE RAPIDE	6.343-137.0	2				
30	LENKROLLE / CASTOR / ROUE PIVOTANTE	6.435-116.0	1				
31	6KT-SCHR. M 8X 16 / HEXAGONAL HEAD SCREW / VIS HEXAGONAL	7.304-395.0	4				
32	ZAHNSCHEIBE A 8,4 / LOCK WASHER / ROUE PLATE	7.312-166.0	11				
33	6KT-MUTTER M 8 / HEXAGON NUT / ECROU HEXAGONAL	7.311-004.0	4				
34	GEGENMUTTER PG13.5 / COUNTERNUT / CONTRE-ECROU	6.641-480.0	1				
35	KABEL / CABLE / CABLE	4.820-279.0	1				
36	ROHR / PIPE / TUYAU	5.025-747.0	1				
37	ABDECKKAPPE / CAP / CHAPE	6.368-127.0	1				
38	ZYL.SCHR. M 6X 45 / CHEESE HEAD SCREW / VIS A TETE CYLINDR.	7.306-026.0	2				
39	SCHEIBE 6 / WASHER / RONDELLE	7.312-260.0	2				
40	6KT-MUTTER M 6 / HEXAGON NUT / ECROU HEXAGONAL	7.311-512.0	2				
41	GRIFF / HANDLE / POIGNEE	5.321-239.0	2				
42	FILTER / FILTER / FILTRE	6.414-136.0	1				
43	TANK / TANK / RESERVOIR	5.071-037.0	1				
44	SIEB / STRAINER / CREPINE	6.414-340.0	1				
45	O-RING 50,0 X 4,0 / GASKET / BAQUE D'ETANCHEITE	6.362-635.0	1				
46	DECKEL / COVER / COUVERCLE	5.063-326.0	1				
47	SCHRAUBE M 5X 16 / SCREW / VIS	7.303-039.0	2				
48	U-PROFIL / U-PROFILE / PROFILE EN U	5.057-035.0	1				
49	BLECHMUTTER / NUT / ECROU	6.310-034.0	2				

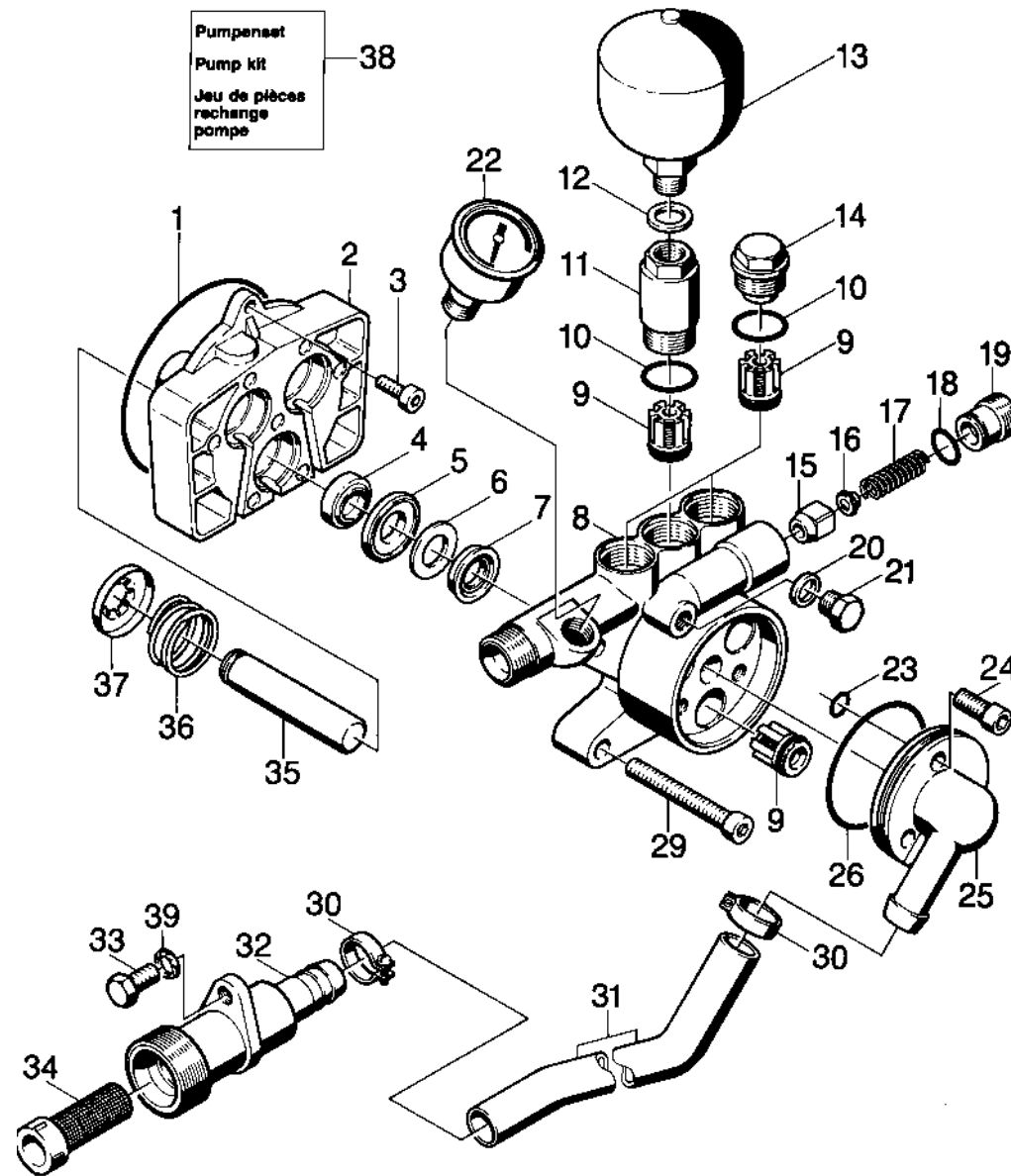
"=> xxxxxx" = bis Werknummer / up to serial No. / jusqu' au No. de fabr. / "xxxxxx =>" = ab Werknummer / from serial No. / a partir du No. de fabr. /

GRUPPE: 2.0 PUMPENSATZ  
GROUP: 2.0 PUMP SET  
GRUPPE: 2.0 JEU (ENSEMBLE) DE POMPE

**A2**

**HDS 550 C**

**GRUPPE: 2.0 PUMPENSATZ**  
**GROUP: 2.0 PUMP SET**  
**GRUPPE: 2.0 JEU (ENSEMBLE) DE POMPE**



Symbolbeschreibung siehe M16 / symbol description see M16 / désignation de système voir M16 /



GRUPPE: 2.0 PUMPENSATZ  
 GROUP: 2.0 PUMP SET  
 GROUPE: 2.0 JEU (ENSEMBLE) DE POMPE

C2

HDS 550 C

POS. ITM. POS.	BENNENNUNG DESCRIPTION DESIGNATION	TEILE-NR. PART-NO. NO.PIECE	STCK QTY. NBR.	POS. ITM. POS.	BENNENNUNG DESCRIPTION DESIGNATION	TEILE-NR. PART-NO. NO.PIECE	STCK QTY. NBR.
1	O-RING 85,0 X 3,0 / GASKET / BAQUE D'ETANCHEITE	6.362-097.0	1	36	SCHRAUBENFEDER / HELICAL SPRING / RESSORT CYLINDRIQUE	5.332-206.0	3
2	GEHAEUSE / HOUSING / BOITIER	5.060-279.0	1	37	FORMTEIL / MOULDED PART / PREFORME	5.030-500.0	3
3	SCHRAUBE M 6X 16 / SCREW / VIS	7.306-090.0	2	38	PUMPENSET HDS 590 / PUMP SET / GROUPE DE POMPES	2.883-004.0	1
4	NUTRING 16X24X7 / GROOVED RING / JOINT A LEVRES	6.365-322.0	3	39	ZAHNSCHEIBE A 6,4 / LOCK WASHER / ROUE PLATE	7.312-167.0	1
5	SCHEIBE / WASHER / RONDELLE	5.115-418.0	3	40	SCHLAUCHSCHELLE / HOSE BAND CLIP / COLLIER DE SERRAGE	6.388-548.0	1
6	SCHEIBE / WASHER / RONDELLE	5.115-386.0	3				
7	NUTRING 16X24X4,6 / GROOVED RING / JOINT A LEVRES	6.365-321.0	3				
8	ZYLINDERKOPF / CYLINDER HEAD / CULASSE	4.550-110.0	1				
9	VENTIL KPL. / VALVE / SOUPAPE	4.580-157.0	6				
9	VENTIL KPL. / VALVE / SOUPAPE	4.580-186.0	6				
10	O-RING 17,3 X 2,4 / GASKET / BAQUE D'ETANCHEITE	6.362-160.0	3				
11	VENTILSCHRAUBE / VALVE SCREW / VIS POINTEAU (SOUP.)	5.583-061.0	1				
12	DICHTRING 14 X18 / JOINT RING / BAGUE D'ETANCHEITE	7.362-005.0	1				
13	DRUCKSPEICHER / PULSATION DAMPER / ANTI-BELIER	6.505-025.0	1				
14	VENTILSCHRAUBE / VALVE SCREW / VIS POINTEAU (SOUP.)	5.583-115.0	2				
15	VENTILTELLER KPL / VALVE DISC / TETE DE SOUPAPE	4.582-007.0	1				
16	VENTILBOLZEN / VALVE PIN / BOULON DE SOUPAPE	5.584-060.0	1				
17	SCHRAUBENFEDER / HELICAL SPRING / RESSORT CYLINDRIQUE	5.332-140.0	1				
18	O-RING 12,0 X 2,0 / GASKET / BAQUE D'ETANCHEITE	6.362-169.0	1				
19	VENTILSCHRAUBE / VALVE SCREW / VIS POINTEAU (SOUP.)	5.583-096.0	1				
20	DICHTRING 10 X13,5 / JOINT RING / BAGUE D'ETANCHEITE	7.362-003.0	1				
21	VS-SCHRAUBE M10X1,0 / CLOSING SCREW / VIS DE FERMETURE	7.382-231.0	1				
22	MANOMETER 0-160 BAR / PRESSURE GAUGE / MANOMETRE	6.421-128.0	1				
23	O-RING 9,0 X 1,5 / GASKET / BAQUE D'ETANCHEITE	6.362-384.0	3				
24	SCHNEIDSCHR. M8X 20 / SELF-TAPPING SCREW / VIS AUTOTARAUEUSE	6.303-078.0	3				
25	GEHAEUSEDECKEL / COVER / COUVERCLE	5.063-323.0	1				
26	O-RING 55,0 X 2,0 / GASKET / BAQUE D'ETANCHEITE	6.362-094.0	1				
29	ZYL.SCHR. M 8X 60 / CHEESE HEAD SCREW / VIS A TETE CYLINDR.	7.306-047.0	4				
30	SCHLAUCHSCHELLE / HOSE BAND CLIP / COLLIER DE SERRAGE	6.388-547.0	1				
31	SCHLAUCH DN16 / HOSE / TUYAU FLEXIBLE	6.388-719.0	1				
32	KNOTENSTUECK / MANIFOLD / FERRURE NODALE	5.427-127.0	1				
33	6KT-SCHR. M 6X 12 / HEXAGONAL HEAD SCREW / VIS HEXAGONAL	7.309-008.0	1				
34	SIEB / STRAINER / CREPINE	6.414-282.0	1				
35	KOLBEN / PISTON / PISTON	5.553-281.0	3				

"=> xxxxxx" = bis Werknummer / up to serial No. / jusqu' au No. de fabr. / "xxxxxx =>" = ab Werknummer / from serial No. / a partir du No. de fabr. /

GRUPPE: 3.0 MOTOR  
GROUP: 3.0 MOTOR  
GRUPPE: 3.0 MOTEUR

**A3**

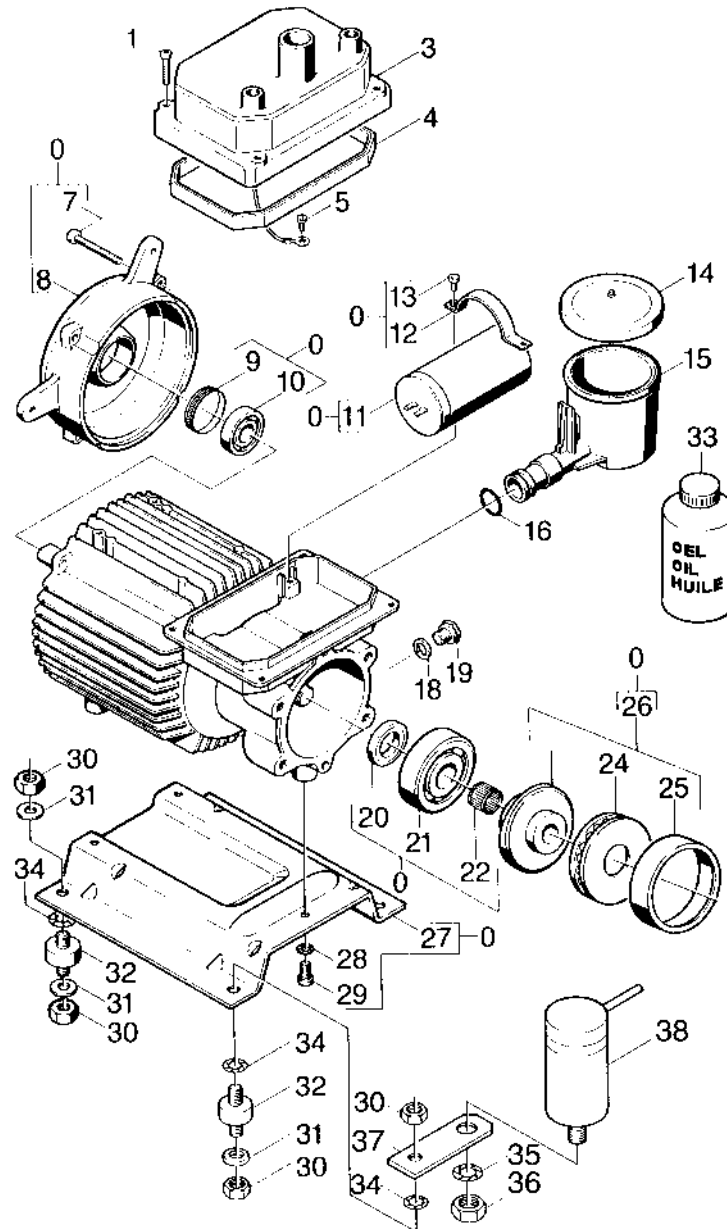
**HDS 550 C**

**GRUPPE: 3.0 MOTOR**  
**GROUP: 3.0 MOTOR**  
**GRUPPE: 3.0 MOTEUR**

GRUPPE: 3.1 MOTOR / => 13300  
GROUP: 3.1 MOTOR / => 13300  
GRUPPE: 3.1 MOTEUR / => 13300

**B3**

**HDS 550 C**



Symbolbeschreibung siehe M16 / symbol description see M16 / désignation de système voir M16 /

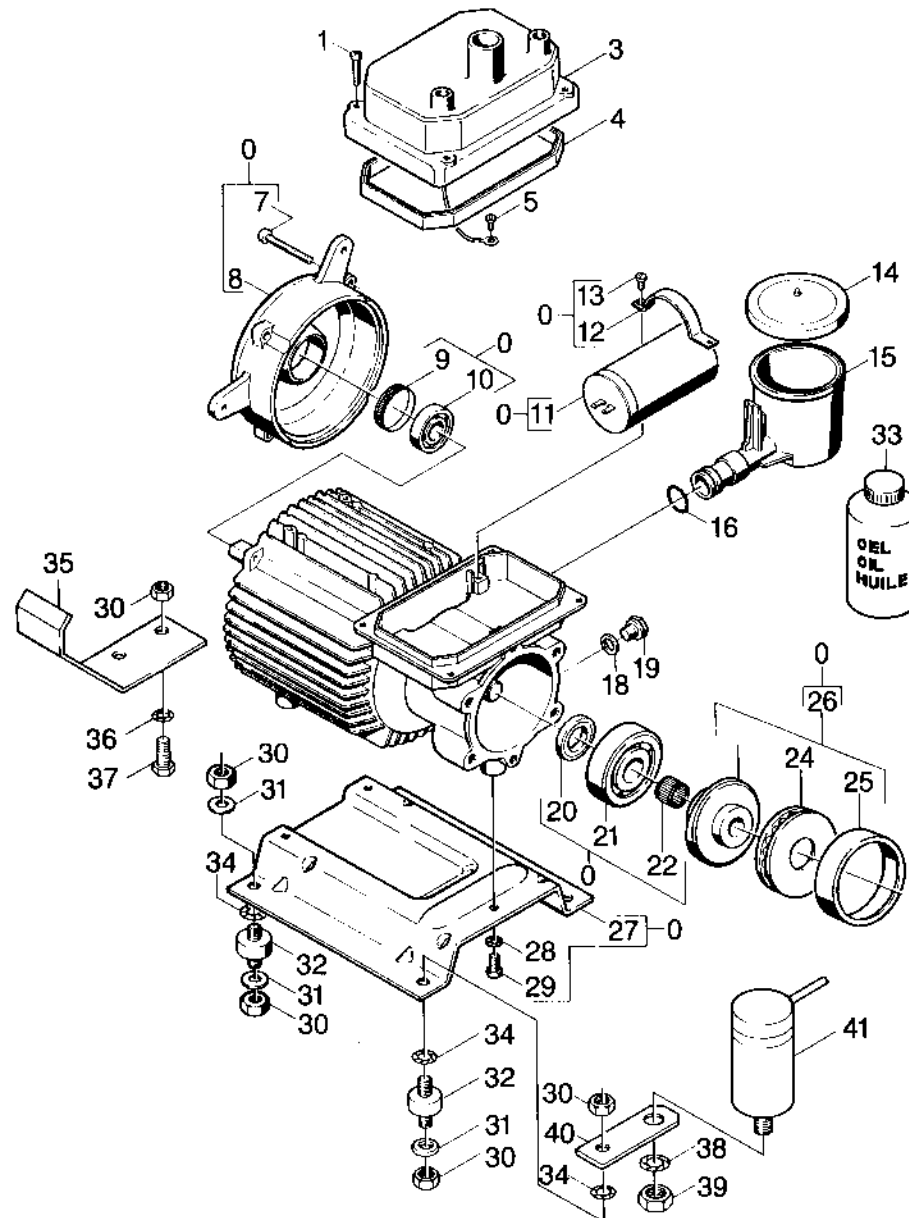
GRUPPE: 3.1 MOTOR / / => 13300  
 GROUP: 3.1 MOTOR / / => 13300  
 GROUPE: 3.1 MOTEUR / / => 13300

C3

HDS 550 C

POS.	BENNENNUNG	TEILE-NR.	STCK	POS.	BENNENNUNG	TEILE-NR.	STCK
ITM.	DESCRIPTION	PART-NO.	QTY.	ITM.	DESCRIPTION	PART-NO.	QTY.
POS.	DESIGNATION	NO.PIECE	NBR.	POS.	DESIGNATION	NO.PIECE	NBR.
0	MOTOR KPL.115V,60HZ / MOTOR / MOTEUR	4.623-052.0	1	38	BETRIEBSKONDENSATOR / CAPACITOR / CONDENS. DE SERVICE	6.661-096.0	1
1	SCHRAUBE M 5X 30 / SCREW / VIS	7.303-043.0	4				
3	DECKEL MOTOR / COVER / COUVERCLE	5.063-325.0	1				
4	PROFILDICHTUNG / SEAL / ETOUPE PROFILE	5.365-135.0	1				
5	SCHRAUBE M 4X 8 / SCREW / VIS	7.303-030.0	1				
7	SCHNEIDSCHR. M5X 45 / SELF-TAPPING SCREW / VIS AUTOTARAUEUSE	6.303-088.0	4				
8	DECKEL / COVER / COUVERCLE	5.063-302.0	1				
9	TOLERANZRING 35X6 / TOLERANCE RING / BAGUE	6.343-015.0	1				
10	KUGELLAGER 6003-2RS / BALL BEARING / ROULEMENT A BILLE	7.401-105.0	1				
11	KONDENSATOR 40 MUEF / CAPACITOR / CONDENSATEUR	6.661-158.0	1				
12	SPANNBAND / BANNER / BANDEROLE	5.260-027.0	1				
13	SCHNEIDSCHR. M4X 8 / SELF-TAPPING SCREW / VIS AUTOTARAUEUSE	6.303-082.0	2				
14	DECKEL / COVER / COUVERCLE	5.063-237.0	1				
15	BEHAELTER (OEL) / TANK / BAC	5.070-089.0	1				
16	O-RING 18,0 X 2,5 / GASKET / BAQUE D'ETANCHEITE	6.362-079.0	1				
18	DICHTRING 10 X13,5 / JOINT RING / BAGUE D'ETANCHEITE	7.362-003.0	1				
19	VS-SCHRAUBE M10X1,0 / CLOSING SCREW / VIS DE FERMETURE	7.382-085.0	1				
20	RWDR A25 X 35 X 7 / ROTARY SHAFT SEAL / JOINT (ARBRE)	7.367-008.0	1				
21	KUGELLAGER 7305 B / BALL BEARING / ROULEMENT A BILLE	6.401-142.0	1				
22	TOLERANZRING 20X14 / TOLERANCE RING / BAGUE	6.343-016.0	1				
24	AXIALRILLENKUGELLA. / AXIAL BALL BEARING / AXIAL ROULEMENT A BILLE	6.401-141.0	1				
25	PROFILRING / PROFILE RING / ANNEAU PROFILE	5.015-044.0	1				
26	TAUMELSCHIEBE KPL. / SWASH PLATE / DISQUE EN NUTATION	4.120-116.0	1				
27	GRUNDPLATTE / BASE PLATE / PLAQUE DE BASE	5.051-016.0	1				
28	ZAHNSCHIEBE A 5,3 / LOCK WASHER / ROUE PLATE	7.312-172.0	3				
29	SCHRAUBE M 5X 16 / SCREW / VIS	7.303-039.0	3				
30	6KT-MUTTER M 8 / HEXAGON NUT / ECROU HEXAGONAL	7.311-004.0	8				
31	FEDERRING B 8 / SPRING WASHER / RONDELLE GROWER	7.313-004.0	8				
32	GUMMIPUFFER / RUBBER BUFFER / BUTOIR CAOUTCHOUC	6.339-095.0	4				
33	MOTORENOEL 1L / ENGINE OIL / HUILE (MOTEUR)	6.288-050.0	1				
34	ZAHNSCHIEBE A 10,5 / LOCK WASHER / ROUE PLATE	7.312-160.0	1				
35	ZAHNSCHIEBE A 13,0 / LOCK WASHER / ROUE PLATE	7.312-169.0	1				
36	6KT-MUTTER M12 / HEXAGON NUT / ECROU HEXAGONAL	7.311-515.0	1				
37	LASCHE / RETAINER CLIP / ECLISSE	5.004-505.0	1				

"=> xxxxxx" = bis Werknummer / up to serial No. / jusqu' au No. de fabr. / "xxxxxx =>" = ab Werknummer / from serial No. / a partir du No. de fabr. /



Symbolbeschreibung siehe M16 / symbol description see M16 / désignation de système voir M16 /

GRUPPE: 3.2 MOTOR / 13300 =>  
 GROUP: 3.2 MOTOR / 13300 =>  
 GROUPE: 3.2 MOTEUR / 13300 =>

E3

HDS 550 C

POS. ITM. POS.	BENNENNUNG DESCRIPTION DESIGNATION	TEILE-NR. PART-NO. NO.PIECE	STCK QTY. NBR.	POS. ITM. POS.	BENNENNUNG DESCRIPTION DESIGNATION	TEILE-NR. PART-NO. NO.PIECE	STCK QTY. NBR.
0	MOTOR KPL.115V,60HZ / MOTOR / MOTEUR	4.623-052.0	1	36	ZAHNSCHEIBE A 8,4 / LOCK WASHER / ROUE PLATE	7.312-166.0	2
1	SCHRAUBE M 5X 30 / SCREW / VIS	7.303-043.0	4	37	6KT-SCHR. M 8X 16 / HEXAGONAL HEAD SCREW / VIS HEXAGONAL	7.304-395.0	2
3	DECKEL MOTOR / COVER / COUVERCLE	5.063-325.0	1	38	ZAHNSCHEIBE A 13,0 / LOCK WASHER / ROUE PLATE	7.312-169.0	1
4	PROFILDICHTUNG / SEAL / ETOUPE PROFILE	5.365-135.0	1	40	LASCHE / RETAINER CLIP / ECLISSE	5.004-505.0	1
5	SCHRAUBE M 4X 8 / SCREW / VIS	7.303-030.0	1	41	BETRIEBSKONDENSATOR / CAPACITOR / CONDENS. DE SERVICE	6.661-096.0	1
7	SCHNEIDSCHR. M5X 45 / SELF-TAPPING SCREW / VIS AUTOTARAUEUSE	6.303-088.0	4				
8	DECKEL / COVER / COUVERCLE	5.063-302.0	1				
9	TOLERANZRING 35X6 / TOLERANCE RING / BAGUE	6.343-015.0	1				
10	KUGELLAGER 6003-2RS / BALL BEARING / ROULEMENT A BILLE	7.401-105.0	1				
11	BETRIEBSKONDENSATOR / CAPACITOR / CONDENS. DE SERVICE	6.661-132.0	1				
12	SPANNBAND / BANNER / BANDEROLE	5.260-027.0	1				
13	SCHNEIDSCHR. M4X 8 / SELF-TAPPING SCREW / VIS AUTOTARAUEUSE	6.303-082.0	2				
14	DECKEL / COVER / COUVERCLE	5.063-237.0	1				
15	BEHAELTER (OEL) / TANK / BAC	5.070-089.0	1				
16	O-RING 18,0 X 2,5 / GASKET / BAQUE D'ETANCHEITE	6.362-079.0	1				
18	DICHTRING 10 X13,5 / JOINT RING / BAGUE D'ETANCHEITE	7.362-003.0	1				
19	VS-SCHRAUBE M10X1,0 / CLOSING SCREW / VIS DE FERMETURE	7.382-085.0	1				
20	RWDR A25 X 35 X 7 / ROTARY SHAFT SEAL / JOINT (ARBRE)	7.367-008.0	1				
21	KUGELLAGER 7305 B / BALL BEARING / ROULEMENT A BILLE	6.401-142.0	1				
22	TOLERANZRING 20X14 / TOLERANCE RING / BAGUE	6.343-016.0	1				
24	AXIALRILLENKUGELLA. / AXIAL BALL BEARING / AXIAL ROULEMENT A BILLE	6.401-141.0	1				
25	PROFILRING / PROFILE RING / ANNEAU PROFILE	5.015-044.0	1				
26	TAUMELSCHEIBE KPL. / SWASH PLATE / DISQUE EN NUTATION	4.120-116.0	1				
27	GRUNDPLATTE / BASE PLATE / PLAQUE DE BASE	5.051-016.0	1				
28	ZAHNSCHEIBE A 5,3 / LOCK WASHER / ROUE PLATE	7.312-172.0	3				
29	SCHRAUBE M 5X 16 / SCREW / VIS	7.303-039.0	3				
30	6KT-MUTTER M 8 / HEXAGON NUT / ECROU HEXAGONAL	7.311-004.0	10				
31	FEDERRING B 8 / SPRING WASHER / RONDELLE GROWER	7.313-004.0	8				
32	GUMMIPUFFER / RUBBER BUFFER / BUTOIR CAOUTCHOUC	6.339-095.0	4				
33	MOTORENOEL 1L / ENGINE OIL / HUILE (MOTEUR)	6.288-050.0	1				
34	ZAHNSCHEIBE A 10,5 / LOCK WASHER / ROUE PLATE	7.312-160.0	1				
35	WINKEL / ANGLE / ANGLE	5.018-621.0	1				
36	6KT-MUTTER M12 / HEXAGON NUT / ECROU HEXAGONAL	7.311-515.0	1				

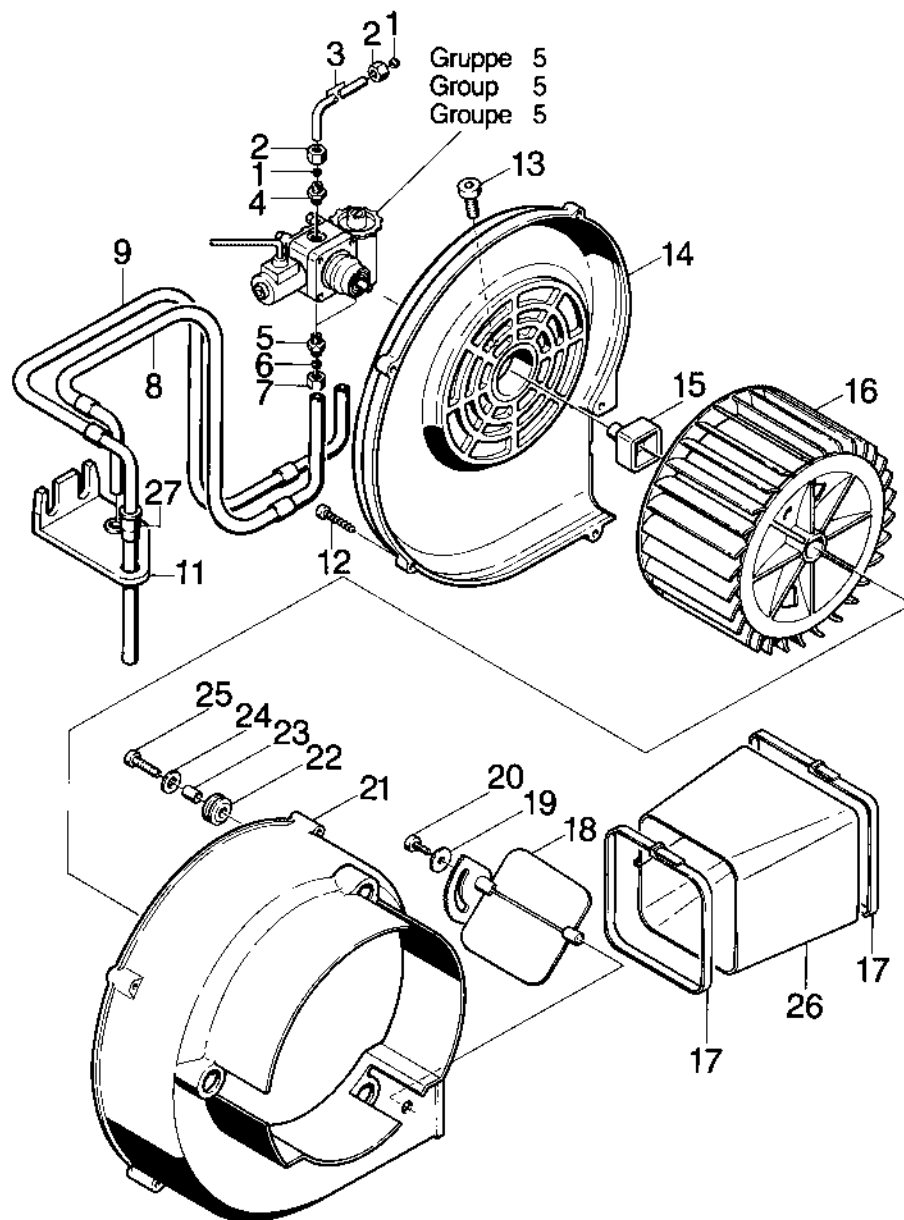
"=> xxxxxx" = bis Werknummer / up to serial No. / jusqu' au No. de fabr. / "xxxxxx =>" = ab Werknummer / from serial No. / a partir du No. de fabr. /

GRUPPE: 4.0 GEBLAESE  
GROUP: 4.0 BLOWER  
GRUPPE: 4.0 VENTILATEUR

**A4**

**HDS 550 C**

**GRUPPE: 4.0 GEBLAESE**  
**GROUP: 4.0 BLOWER**  
**GRUPPE: 4.0 VENTILATEUR**



Symbolbeschreibung siehe M16 / symbol description see M16 / désignation de système voir M16 /



GRUPPE: 4.0 GEBLAESE  
GROUP: 4.0 BLOWER  
GROUPE: 4.0 VENTILATEUR

C4

HDS 550 C

POS. ITM. POS.	BENNENNUNG DESCRIPTION DESIGNATION	TEILE-NR. PART-NO. NO.PIECE	STCK QTY. NBR.
1	KLEMMRING D4 / OLIVE / ANNEAU DE SERRAGE	6.386-505.0	2
2	UE-MUTTER M8X1 / UNION NUT / ECROU RACOURD	6.386-504.0	2
3	LEITUNGSROHR / PIPE / TUBE CONDUCTEUR	5.423-098.0	1
4	SCHRAUBSTUTZEN 1/8Z / SCREW UNION / RACCORD FILETE	6.386-503.0	2
5	STUTZEN 6-L1/8NPT / CONNECTION PIECE / TUBULURE	6.386-181.0	2
6	SCHNEIDRING D 6-L/S / CUTTING RING / BAGUE COUPANTE	6.386-160.0	2
7	UE-MUTTER A 6-L / UNION NUT / ECROU RACOURD	6.386-346.0	2
8	SCHLAUCHLEITUNG / HOSE ASSEMBLY / CONDUITE	6.389-089.0	1
9	SCHLAUCHLEITUNG / HOSE ASSEMBLY / CONDUITE	6.389-090.0	1
11	HALTER / BRACKET / FIXATION	5.042-432.0	1
12	LINSENSCHR. 4,0X25 / OVAL HEAD SCREW / VIS A TETE BOMBEE	6.303-089.0	5
13	SCHRAUBE M 6X 16 / SCREW / VIS	7.306-090.0	1
14	DECKEL / COVER / COUVERCLE	5.063-274.0	1
15	KUPPLUNGSTEIL / COUPLING ELEMENT / PIECE D'ACCOUPL.	5.471-057.0	1
16	LAUFRAD / FAN WHEEL / ROUE DE VENTILATEUR	5.600-021.0	1
17	SPANNBAND / BANNER / BANDEROLE	6.388-608.0	2
18	LUFTKLAPPE / AIR FLAP / VOLET D'ADMIS.D'AIR	5.606-002.0	1
19	SCHEIBE 5 / WASHER / RONDELLE	7.312-278.0	1
20	BL.SCHR. ST4,8X16 / SHEET METAL SCREW / VIS A TOLE	7.303-077.0	1
21	GEHAEUSE / HOUSING / BOITIER	5.605-119.0	1
22	GUMMIRING / RUBBER RING / RONDELLE CAOUTCHOUC	5.379-011.0	3
23	HUELSE / SLEEVE / DOUILLE	5.110-306.0	3
24	SCHEIBE 5 / WASHER / RONDELLE	7.312-264.0	3
25	SCHNEIDSCHR. M5X 20 / SELF-TAPPING SCREW / VIS AUTOTARAUEUSE	6.303-076.0	3
26	TUCHMANSCHETTE / CLOTH COLLAR / MANCHETTE	5.178-020.0	1
27	PROFILDICHTUNG / SEAL / ETOUPE PROFILE	5.365-145.0	2

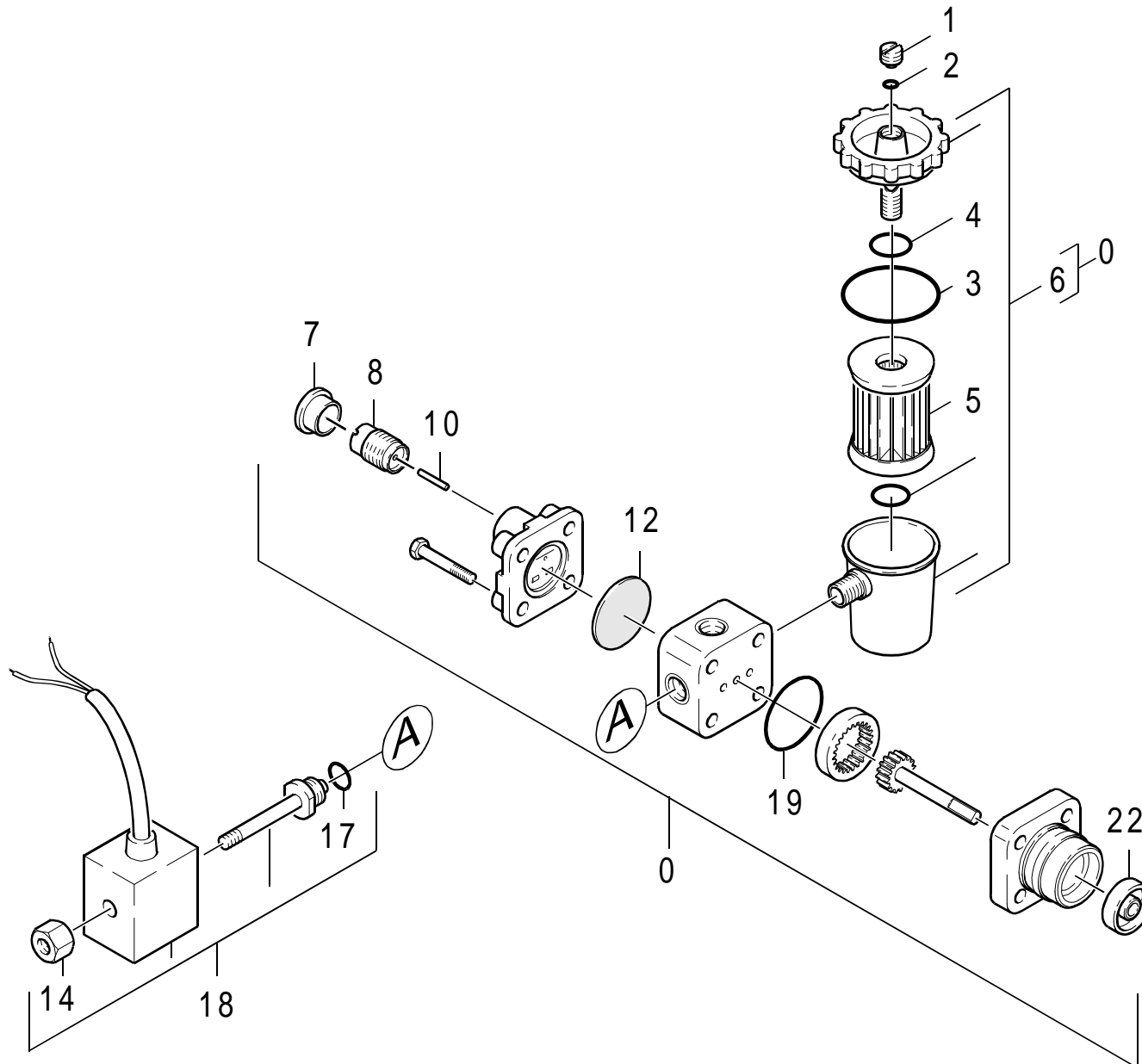
"=> xxxxxx" = bis Werknummer / up to serial No. / jusqu' au No. de fabr. / "xxxxxx =>" = ab Werknummer / from serial No. / a partir du No. de fabr. /

GRUPPE: 5.0 BRENNSTOFFPUMPE  
GROUP: 5.0 FUEL PUMP  
GRUPPE: 5.0 POMPE DE COMBUSTIBLE

**A5**

**HDS 550 C**

**GRUPPE: 5.0 BRENNSTOFFPUMPE**  
**GROUP: 5.0 FUEL PUMP**  
**GRUPPE: 5.0 POMPE DE COMBUSTIBLE**



Symbolbeschreibung siehe M16 / symbol description see M16 / désignation de système voir M16 /

GRUPPE: 5.0 BRENNSTOFFPUMPE  
GROUP: 5.0 FUEL PUMP  
GROUPE: 5.0 POMPE DE COMBUSTIBLE

C5

HDS 550 C

POS. ITM. POS.	BENNENUN DESCRIPTION DESIGNATION	TEILE-NR. PART-NO. NO.PIECE	STCK QTY. NBR.
0	BRENNSTOFFPUMPE / FUEL PUMP / POMPE DE COMBUSTIBLE	6.472-925.0	1
1	ENTLUEFTUNGSSCHR. / VENT SCREW / VIS D'AIR	6.472-107.0	1
2	O-RING 5,0 X 1,8 / GASKET / BAQUE D'ETANCHEITE	6.472-106.0	1
3	O-RING 32,0 X 1,6 / GASKET / BAQUE D'ETANCHEITE	6.472-111.0	1
4	O-RING 10,0 X 2,4 / GASKET / BAQUE D'ETANCHEITE	6.472-112.0	1
5	FILTEREINSATZ / FILTER CARTRIDGE / CARTOUCHE FILTRANTE	6.472-113.0	1
6	FILTERGEHAEUSE KPL. / FILTER CASE / BATI DE FILTRE	6.472-123.0	1
7	SCHUTZKAPPE / PROTECTING CAP / CAPOT PROTECTION	6.472-122.0	1
8	FEDERGEHAEUSE / SPRING HOUSING / BARILLET	6.472-109.0	1
10	STIFT / PIN / CHEVILLE	6.472-108.0	1
12	MEMBRANE / DIAPHRAGM / MEMBRANE	6.472-128.0	1
14	RAENDELMUTTER / KNURLED NUT / ECROU MOLETE	6.472-340.0	1
17	O-RING 12,0 X 1,5 / GASKET / BAQUE D'ETANCHEITE	6.472-125.0	1
18	MAGNETVENTIL / SOLENOID VALVE / ELECTROVANNE	6.472-411.0	1
19	O-RING 28,5 X 1,6 / GASKET / BAQUE D'ETANCHEITE	6.472-120.0	1
22	ACHSENDICHTUNG / SHAFT SEAL / ETOUPAGE D'ESSIEU	6.472-105.0	1

"=> xxxxxx" = bis Werknummer / up to serial No. / jusqu' au No. de fabr. / "xxxxxx =>" = ab Werknummer / from serial No. / a partir du No. de fabr. /

**GRUPPE:** 6.0 E-GERAETESCHRANK  
**GROUP:** 6.0 ELECTRIC CONTROL BOX  
**GRUPPE:** 6.0 COFFRET ELECTRIQUE

**A6**

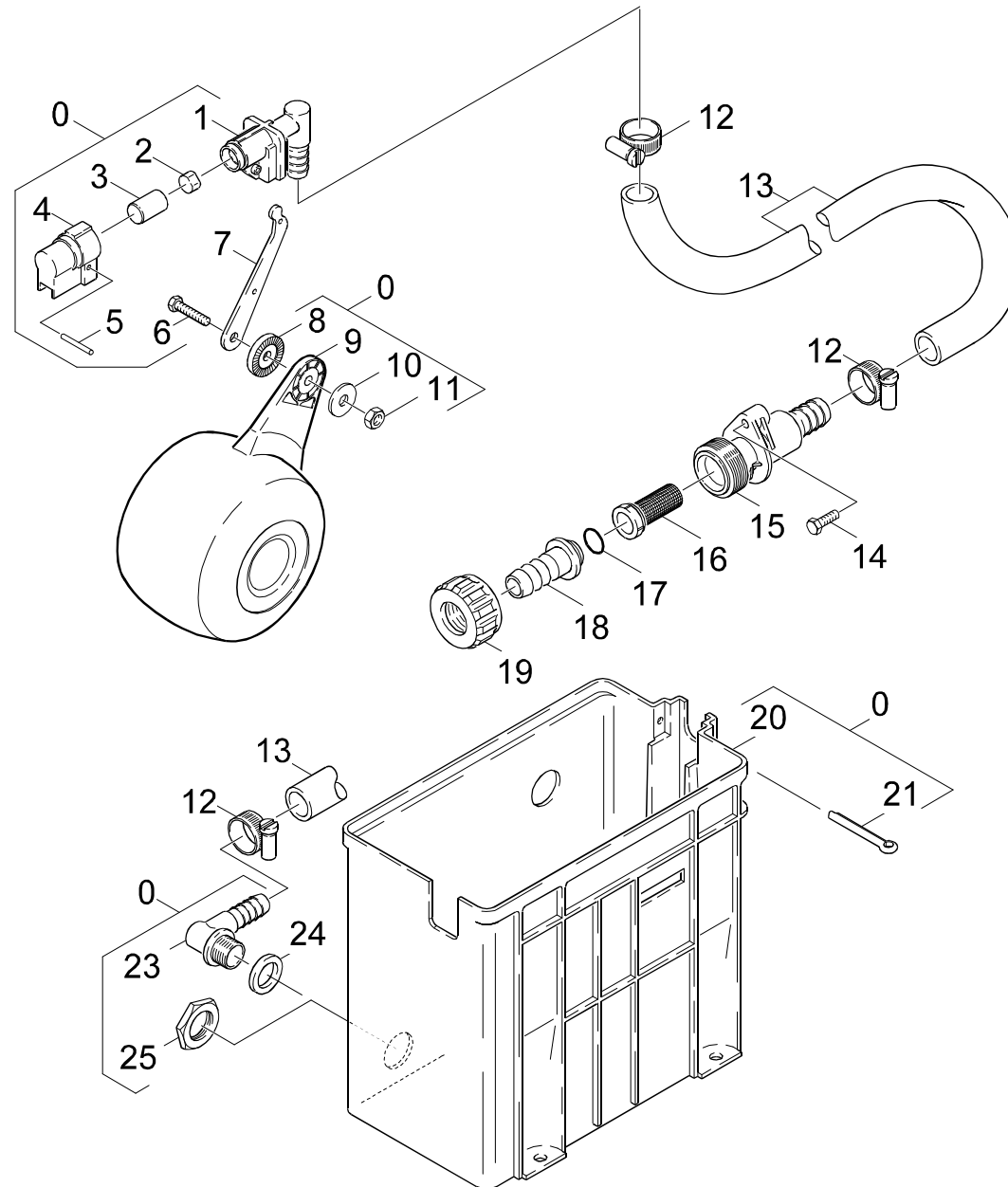
**HDS 550 C**

**GRUPPE: 6.0 E-GERAETESCHRANK**  
**GROUP: 6.0 ELECTRIC CONTROL BOX**  
**GRUPPE: 6.0 COFFRET ELECTRIQUE**

GRUPPE: 6.1 E-GERAETESCHRANK / / => 13306  
GROUP: 6.1 ELECTRIC CONTROL BOX / / => 13306  
GRUPPE: 6.1 COFFRET ELECTRIQUE / / => 13306

B6

HDS 550 C



Symbolbeschreibung siehe M16 / symbol description see M16 / désignation de système voir M16 /

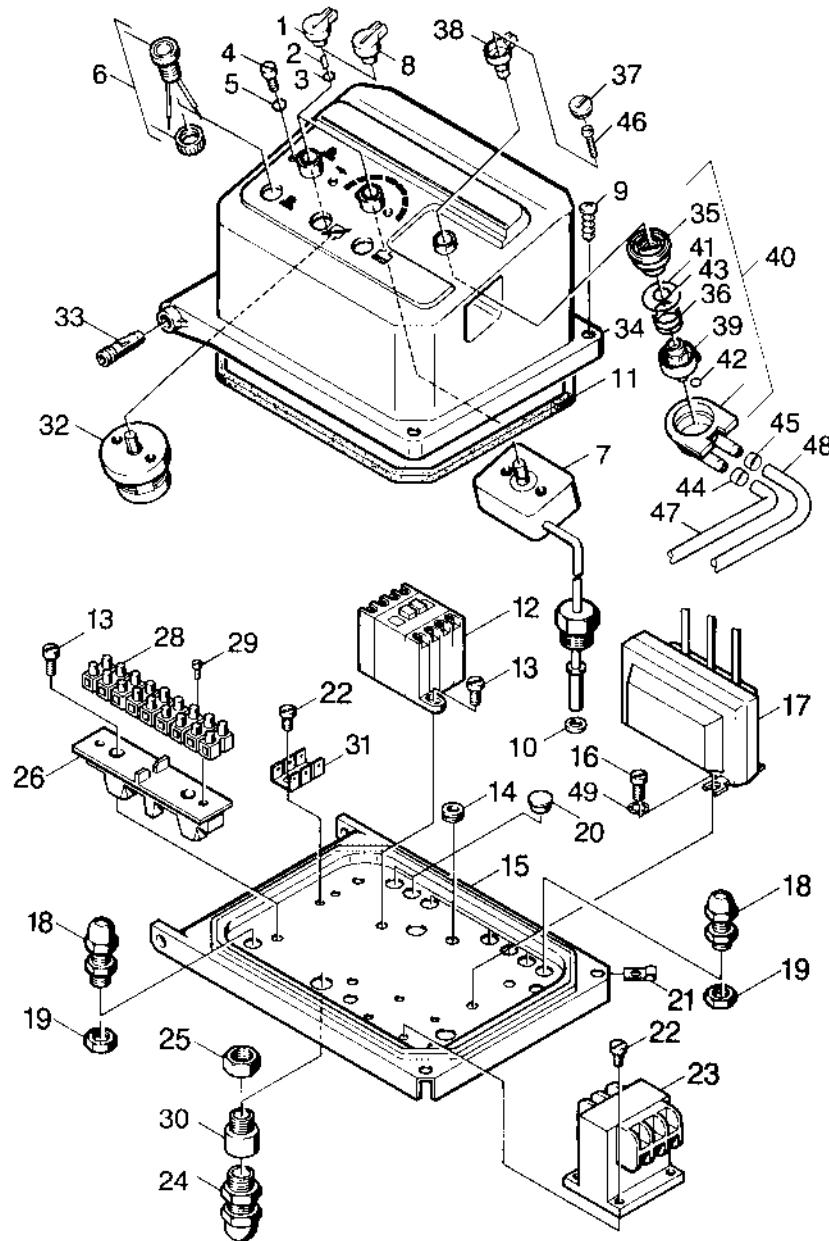
GRUPPE: 6.1 E-GERAETESCHRANK / / => 13306  
GROUP: 6.1 ELECTRIC CONTROL BOX / / => 13306  
GROUPE: 6.1 COFFRET ELECTRIQUE / / => 13306

C6

HDS 550 C

POS. ITM. POS.	BENNENNUNG DESCRIPTION DESIGNATION	TEILE-NR. PART-NO. NO.PIECE	STCK QTY. NBR.
1	GRIFF / HANDLE / POIGNEE	5.321-183.0	1
2	KLEMMFEDER / SPRING / RESSORT DE FRICTION	6.313-014.0	2
3	O-RING 13,3 X 2,4 / GASKET / BAQUE D'ETANCHEITE	6.362-078.0	2
4	ZYL.SCHR. M 4X 10 / CHEESE HEAD SCREW / VIS A TETE CYLINDR.	7.306-513.0	4
5	DICHTRING / JOINT RING / BAGUE D'ETANCHEITE	5.363-225.0	4
6	SIGNALLEUCHTE ROT / PILOT LAMP / LAMPE TEMOIN	6.651-184.0	1
7	TEMPERATURREGLER / THERMOSTAT / THERMOSTAT	6.685-716.0	1
8	GRIFF / HANDLE / POIGNEE	5.321-187.0	1
9	BL.SCHR. ST4,8X19 / SHEET METAL SCREW / VIS A TOLE	7.303-078.0	2
10	SCHEIBE / WASHER / RONDELLE	5.115-375.0	1
11	MOOSGUMMISCHNUR / CELLULAR RUBBER CORD / CORDON EN CAOUTCHOUC CELL	6.273-082.0	1
12	SCHUETZ 24V50/60HZ / CONTACTOR / CONTACTEUR	6.632-132.0	1
13	SCHRAUBE M 4X 16 / SCREW / VIS	7.303-033.0	4
14	GUMMIRING / RUBBER RING / RONDELLE CAOUTCHOUC	5.379-013.0	4
15	MONTAGEPLATTE / ASSEMBLY PLATE / PLAQUE DE MONTAGE	5.801-094.0	1
16	SCHRAUBE M 5X 8 / SCREW / VIS	7.303-036.0	2
17	ZUENDTRAFO / TRANSFORMER / TRANSFORMATEUR	6.622-126.0	1
18	KABELVERSCHR. PG 9 / CABLE CONNECTOR / RACCORD DE CABLES	6.641-355.0	6
19	GEGENMUTTER PG 9 / COUNTERNUT / CONTRE-ECROU	6.641-366.0	6
20	VERSCHLUSSTOPFEN / DRAIN PLUG / BOUCHON	6.368-064.0	2
21	BLECHMUTTER / NUT / ECROU	6.310-034.0	2
22	SCHNEIDSCHR. M4X 8 / SELF-TAPPING SCREW / VIS AUTOTARAUEUSE	6.303-017.0	5
23	STEUERTRAFO / TRANSFORMER / TRANSFORMATEUR	6.622-064.0	1
24	KABELVERSCHR. PG16 / CABLE CONNECTOR / RACCORD DE CABLES	6.641-356.0	1
25	GEGENMUTTER PG13,5 / COUNTERNUT / CONTRE-ECROU	6.641-369.0	1
26	AUFLAGER / SUPPORT / SUPPORT	5.057-036.0	1
28	KLEMMLEISTE / STRIP TERMINAL / BORNE PLATE	6.643-249.0	1
29	BL.SCHR. ST3,5X19,0 / SHEET METAL SCREW / VIS A TOLE	7.303-357.0	2
30	ERWEITERUNGSSTUECK / ADAPTOR / PIECE DE EXTENSION	6.641-394.0	1
31	FLACHSTECKER / PLUG / FICHE PLATE	6.641-270.0	1
32	SCHALTER / SWITCH / INTERRUPTEUR	6.631-081.0	1
33	BOLZEN / BOLT / BOULON	5.316-223.0	2
34	HAUBE / COVER / CAPOT	5.066-246.0	1
35	SCHEIBE 5 / WASHER / RONDELLE	7.312-032.0	2

"=> xxxxxx" = bis Werknummer / up to serial No. / jusqu' au No. de fabr. / "xxxxxx =>" = ab Werknummer / from serial No. / a partir du No. de fabr. /



Symbolbeschreibung siehe M16 / symbol description see M16 / désignation de système voir M16 /



GRUPPE: 6.2 E-GERAETESCHRANK / 13307 =>  
 GROUP: 6.2 ELECTRIC CONTROL BOX / 13307 =>  
 GROUPE: 6.2 COFFRET ELECTRIQUE / 13307 =>

**E6**

**HDS 550 C**

POS. ITM. POS.	BENNENNUNG DESCRIPTION DESIGNATION	TEILE-NR. PART-NO. NO.PIECE	STCK QTY. NBR.	POS. ITM. POS.	BENNENNUNG DESCRIPTION DESIGNATION	TEILE-NR. PART-NO. NO.PIECE	STCK QTY. NBR.
1	GRIF / HANDLE / POIGNEE	5.321-183.0	1	36	SCHRAUBENFEDER / HELICAL SPRING / RESSORT CYLINDRIQUE	5.332-236.0	1
2	KLEMMFEDER / SPRING / RESSORT DE FRICTION	6.313-014.0	2	37	STOPFEN / PLUG / BOUCHON	5.132-063.0	1
3	O-RING 13,3 X 2,4 / GASKET / BAQUE D'ETANCHEITE	6.362-078.0	2	38	GRIF / HANDLE / POIGNEE	5.321-279.0	1
4	ZYL.SCHR. M 4X 10 / CHEESE HEAD SCREW / VIS A TETE CYLINDR.	7.306-513.0	4	39	VENTILSITZ / VALVE SEAT / SIEGE DE SOUPAPE	5.581-121.0	1
5	DICHTRING / JOINT RING / BAGUE D'ETANCHEITE	5.363-225.0	4	40	ERSATZTEILSET / SPARE PARTS KIT / KIT DE PIECES	2.883-091.0	1
6	SIGNALLEUCHTE ROT / PILOT LAMP / LAMPE TEMOIN	6.651-184.0	1	41	O-RING 32,0 X 2,5 / GASKET / BAQUE D'ETANCHEITE	6.362-085.0	1
7	TEMPERATURREGLER / THERMOSTAT / THERMOSTAT	6.685-716.0	1	42	O-RING 5 X 1,5 / GASKET / BAQUE D'ETANCHEITE	6.362-386.0	1
8	GRIF / HANDLE / POIGNEE	5.321-182.0	1	43	O-RING 12,5 X 2,5 / GASKET / BAQUE D'ETANCHEITE	6.362-515.0	1
9	BL.SCHR. ST4,8X19 / SHEET METAL SCREW / VIS A TOLE	7.303-078.0	2	44	SCHLAUCHSCHELLE / HOSE BAND CLIP / COLLIER DE SERRAGE	6.388-515.0	1
10	SCHEIBE / WASHER / RONDELLE	5.115-375.0	1	45	SCHLAUCHSCHELLE / HOSE BAND CLIP / COLLIER DE SERRAGE	6.388-559.0	1
11	MOOSGUMMISCHNUR / CELLULAR RUBBER CORD / CORDON EN CAOUTCHOUC CELL	6.273-082.0	1	46	BL.SCHR. ST3,5X25,0 / SHEET METAL SCREW / VIS A TOLE	7.303-053.0	1
12	SCHUETZ 24V50/60HZ / CONTACTOR / CONTACTEUR	6.632-132.0	1	47	SCHLAUCH DN 7 / HOSE / TUYAU FLEXIBLE	6.388-194.0	2
13	SCHRAUBE M 4X 16 / SCREW / VIS	7.303-033.0	4	48	SCHLAUCH DN 7 / HOSE / TUYAU FLEXIBLE	6.388-225.0	3
14	GUMMIRING / RUBBER RING / RONDELLE CAOUTCHOUC	5.379-013.0	4	49	SCHEIBE 5 / WASHER / RONDELLE	7.312-032.0	2
15	MONTAGEPLATTE / ASSEMBLY PLATE / PLAQUE DE MONTAGE	5.801-094.0	1				
16	SCHRAUBE M 5X 8 / SCREW / VIS	7.303-036.0	2				
17	ZUENDTRAFO / TRANSFORMER / TRANSFORMATEUR	6.622-126.0	1				
18	KABELVERSCHR. PG 9 / CABLE CONNECTOR / RACCORD DE CABLES	6.641-355.0	6				
19	GEGENMUTTER PG 9 / COUNTERNUT / CONTRE-ECROU	6.641-366.0	6				
20	VERSCHLUSSTOPFEN / DRAIN PLUG / BOUCHON	6.368-064.0	2				
21	BLECHMUTTER / NUT / ECROU	6.310-034.0	2				
22	SCHNEIDSCHR. M4X 8 / SELF-TAPPING SCREW / VIS AUTOTARAUEUSE	6.303-017.0	5				
23	STEUERTRAFO / TRANSFORMER / TRANSFORMATEUR	6.622-064.0	1				
24	KABELVERSCHR. PG16 / CABLE CONNECTOR / RACCORD DE CABLES	6.641-356.0	1				
25	GEGENMUTTER PG13,5 / COUNTERNUT / CONTRE-ECROU	6.641-369.0	1				
26	AUFLAGER / SUPPORT / SUPPORT	5.057-036.0	1				
28	KLEMMLEISTE / STRIP TERMINAL / BORNE PLATE	6.643-249.0	1				
29	BL.SCHR. ST3,5X19,0 / SHEET METAL SCREW / VIS A TOLE	7.303-357.0	2				
30	ERWEITERUNGSSTUECK / ADAPTOR / PIECE DE EXTENSION	6.641-394.0	1				
31	FLACHSTECKER / PLUG / FICHE PLATE	6.641-270.0	1				
32	SCHALTER / SWITCH / INTERRUPTEUR	6.631-081.0	1				
33	BOLZEN / BOLT / BOULON	5.316-223.0	2				
34	HAUBE / COVER / CAPOT	5.066-308.0	1				
35	DECKEL / COVER / COUVERCLE	5.063-353.0	1				

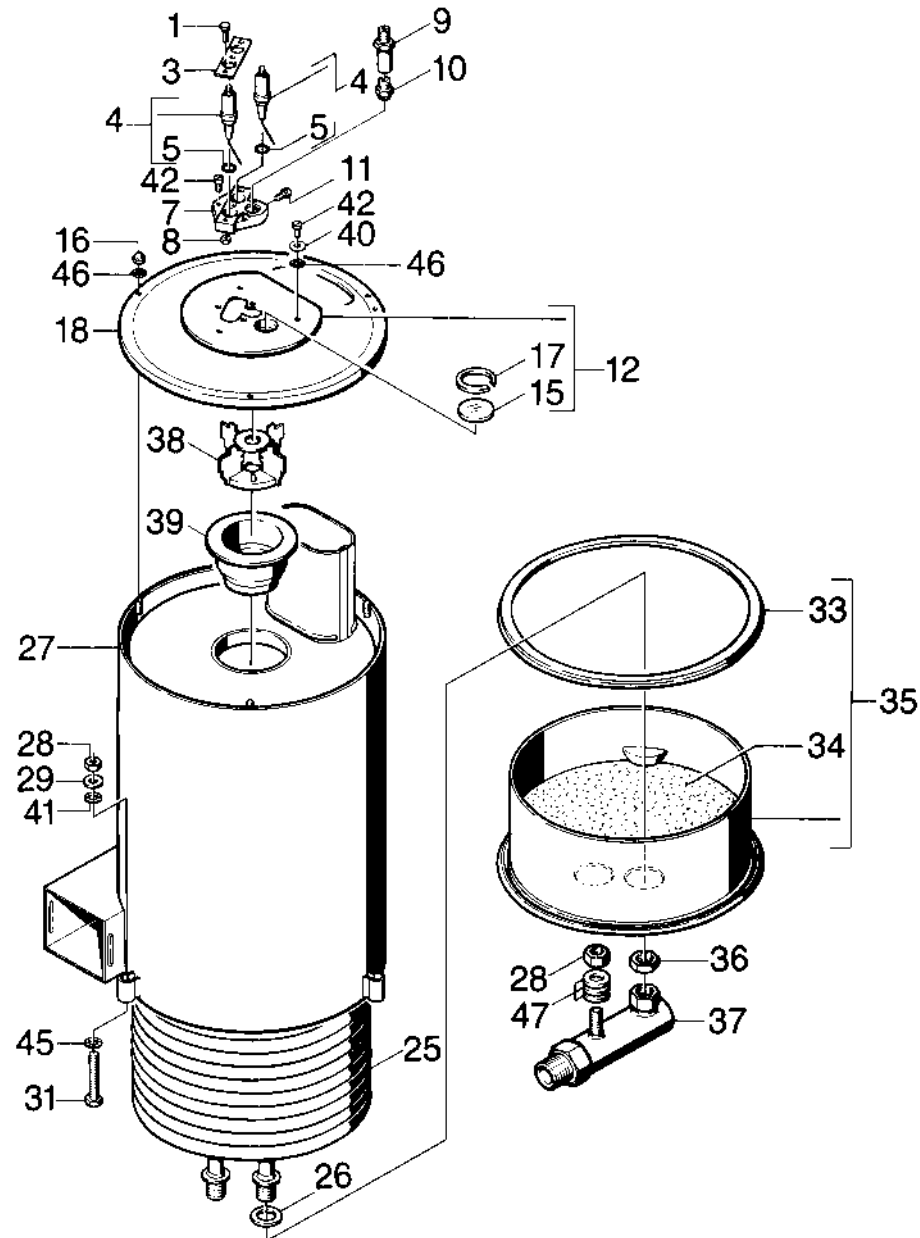
"=> xxxxxx" = bis Werknummer / up to serial No. / jusqu' au No. de fabr. / "xxxxxx =>" = ab Werknummer / from serial No. / a partir du No. de fabr. /

GRUPPE: 7.0 DURCHLAUFERHITZER  
GROUP: 7.0 FLOW HEATER  
GRUPPE: 7.0 CHAUFFE-EAU RAPIDE

**A7**

**HDS 550 C**

**GRUPPE: 7.0 DURCHLAUFERHITZER**  
**GROUP: 7.0 FLOW HEATER**  
**GRUPPE: 7.0 CHAUFFE-EAU RAPIDE**



Symbolbeschreibung siehe M16 / symbol description see M16 / désignation de système voir M16 /

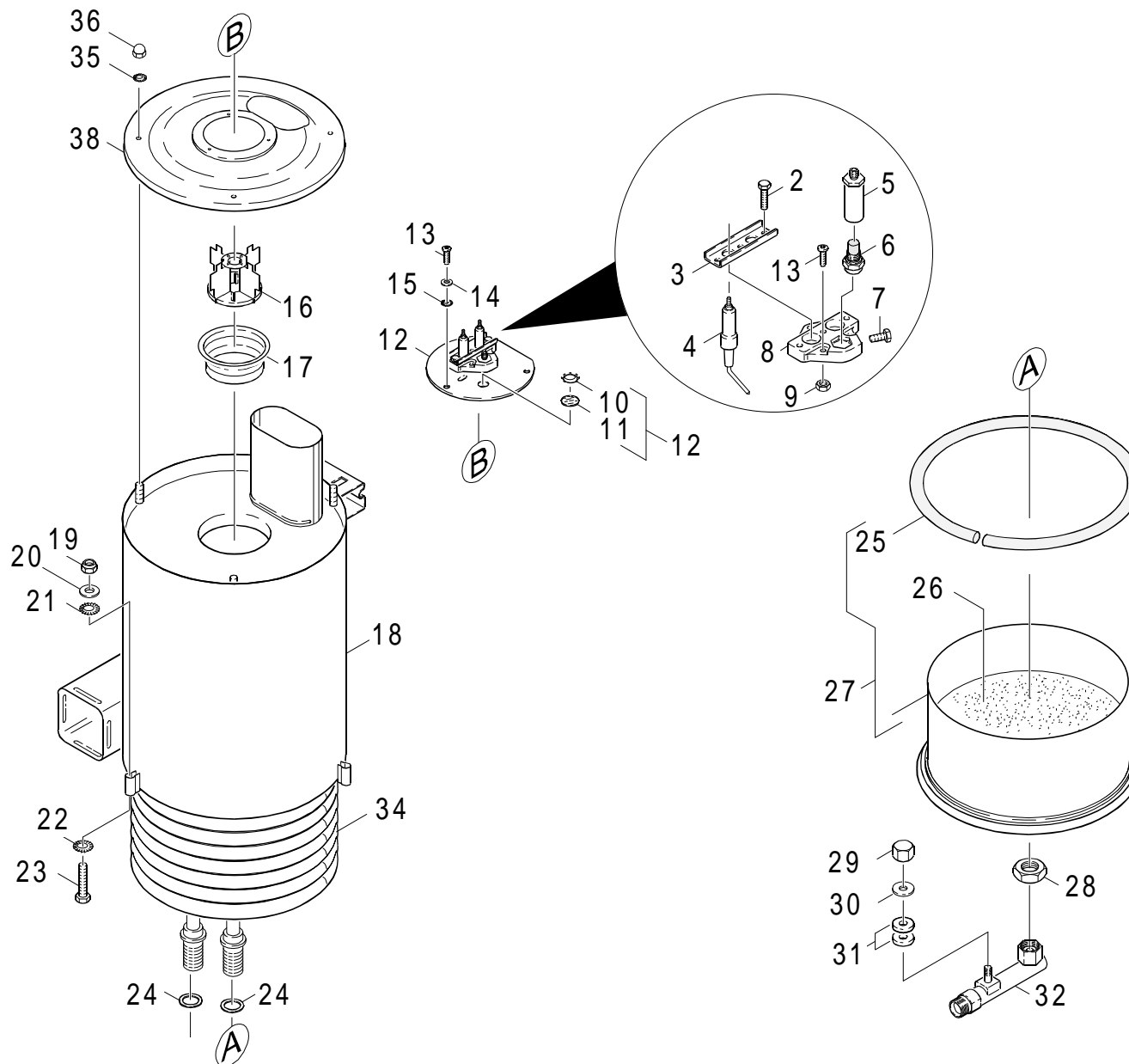
GRUPPE: 7.1 DURCHLAUFERHITZER / /=> 13300  
 GROUP: 7.1 FLOW HEATER / /=> 13300  
 GROUPE: 7.1 CHAUFFE-EAU RAPIDE / /=> 13300

**C7**

**HDS 550 C**

POS. ITM. POS.	BENNENUNG DESCRIPTION DESIGNATION	TEILE-NR. PART-NO. NO.PIECE	STCK QTY. NBR.
1	6KT-SCHR. M 5X 16 / HEXAGONAL HEAD SCREW / VIS HEXAGONAL	7.309-017.0	3
3	LASCHE / RETAINER CLIP / ECLISSE	5.004-228.0	1
4	ERSATZTEILSET / SPARE PARTS KIT / KIT DE PIECES	2.883-083.0	1
5	DICHTRING 12 X15,5 / JOINT RING / BAGUE D'ETANCHEITE	7.362-004.0	2
7	KERZENHALTER / SPARK HOLDER / SUPPORT BOUGIE	5.668-001.0	1
8	6KT-MUTTER M 5 / HEXAGON NUT / ECROU HEXAGONAL	7.311-037.0	3
9	DUESENHALTER / NOZZLE HOLDER / PORTE - BUSE	5.667-039.0	1
10	DUESE / NOZZLE / BUSE	6.415-520.0	1
11	ZYL.SCHR. M 5X 12 / CHEESE HEAD SCREW / VIS A TETE CYLINDR.	7.306-443.0	1
12	DECKEL D.K. / COVER / COUVERCLE	4.654-133.0	1
15	GLASSCHEIBE / GLASS PANE / VITRE	6.278-018.0	1
16	HUTMUTTER M 6 / CAP NUT / ECROU BORGNE	7.311-380.0	3
17	ZACKENRING / RING / ANNEAU	6.343-165.0	1
18	DECKEL D.K. / COVER / COUVERCLE	5.654-038.0	1
25	HEIZSCHLANGE / HEATING COIL / SERPENTIN	4.680-076.0	1
26	PROFILDICHTUNG / SEAL / ETOUPE PROFILE	5.365-068.0	2
27	AUSSENMANTEL / OUTER JACKET / ENVELOPPE	4.652-064.0	1
28	6KT-MUTTER M 8 / HEXAGON NUT / ECROU HEXAGONAL	7.311-510.0	4
29	SCHEIBE 8 / WASHER / RONDELLE	7.312-004.0	3
31	FL.RD.SCHR. M 8X 55 / SAUCER-HEAD SCREW / BOULON A TETE BOMBEE	7.303-165.0	3
33	DICHTSCHNUR / SEAL STRING / CORDE DE BOURRAGE	6.366-009.0	1
34	STAMPFMASSE 8KG / REFRACTORY MATERIAL / PISE REFRACT. DAME	2.889-061.0	8
35	BODEN D.K. / BOTTOM / FOND	4.655-044.0	1
36	6KT-MUTTER M22X1,5 / HEXAGON NUT / ECROU HEXAGONAL	7.311-155.0	2
37	KNOTENSTUECK / MANIFOLD / FERRURE NODALE	4.427-123.0	1
38	BRENNEREINSATZ / BURNER CAGE / BRULEUR CAGE	4.663-073.0	1
39	BRENNERTEIL / BURNER PART / PIECE DE BRULEUR	5.664-179.0	1
40	SCHEIBE 5 / WASHER / RONDELLE	7.312-002.0	3
41	ZAHNSCHEIBE A 8,4 / LOCK WASHER / ROUE PLATE	7.312-166.0	3
42	SCHRAUBE M 5X 16 / SCREW / VIS	7.303-039.0	6
44	6KT-MUTTER M 5 / HEXAGON NUT / ECROU HEXAGONAL	7.311-002.0	3
45	ZAHNSCHEIBE A 13,0 / LOCK WASHER / ROUE PLATE	7.312-169.0	3
46	ZAHNSCHEIBE A 6,4 / LOCK WASHER / ROUE PLATE	7.312-167.0	6
47	SCHEIBE 8 / WASHER / RONDELLE	7.312-155.0	3

"=> xxxxxx" = bis Werknummer / up to serial No. / jusqu' au No. de fabr. / "xxxxxx =>" = ab Werknummer / from serial No. / a partir du No. de fabr. /



Symbolbeschreibung siehe M16 / symbol description see M16 / désignation de système voir M16 /

GRUPPE: 7.2 DURCHLAUFERHITZER / 13300 =>  
 GROUP: 7.2 FLOW HEATER / 13300 =>  
 GROUPE: 7.2 CHAUFFE-EAU RAPIDE / 13300 =>

**E7**

**HDS 550 C**

POS. ITM. POS.	BENNENNUNG DESCRIPTION DESIGNATION	TEILE-NR. PART-NO. NO.PIECE	STCK QTY. NBR.	POS. ITM. POS.	BENNENNUNG DESCRIPTION DESIGNATION	TEILE-NR. PART-NO. NO.PIECE	STCK QTY. NBR.
1	6KT-SCHR. M 5X 16 / HEXAGONAL HEAD SCREW / VIS HEXAGONAL	7.309-017.0	3	49	UNTERLAGE / SPACER / COUSSINET	5.378-100.0	2
3	LASCHE / RETAINER CLIP / ECLISSE	5.004-228.0	1				
4	ERSATZTEILSET / SPARE PARTS KIT / KIT DE PIECES	2.883-083.0	1				
5	DICHTRING 12 X15,5 / JOINT RING / BAGUE D'ETANCHEITE	7.362-004.0	2				
7	KERZENHALTER / SPARK HOLDER / SUPPORT BOUGIE	5.668-001.0	1				
8	6KT-MUTTER M 5 / HEXAGON NUT / ECROU HEXAGONAL	7.311-037.0	3				
9	DUESENHALTER / NOZZLE HOLDER / PORTE - BUSE	5.667-042.0	1				
10	DUESE / NOZZLE / BUSE	6.415-520.0	1				
11	ZYL.SCHR. M 5X 12 / CHEESE HEAD SCREW / VIS A TETE CYLINDR.	7.306-443.0	1				
12	DECKEL D.K. / COVER / COUVERCLE	4.654-133.0	1				
15	GLASSCHEIBE / GLASS PANE / VITRE	6.278-018.0	1				
16	HUTMUTTER M 6 / CAP NUT / ECROU BORGNE	7.311-380.0	3				
17	ZACKENRING / RING / ANNEAU	6.343-165.0	1				
18	DECKEL D.K. / COVER / COUVERCLE	5.654-038.0	1				
25	HEIZSCHLANGE / HEATING COIL / SERPENTIN	4.680-076.0	1				
26	PROFILDICHTUNG / SEAL / ETOUPE PROFILE	5.365-068.0	2				
27	AUSSENMANTEL / OUTER JACKET / ENVELOPPE	4.652-064.0	1				
28	6KT-MUTTER M 8 / HEXAGON NUT / ECROU HEXAGONAL	7.311-510.0	3				
29	SCHEIBE 8 / WASHER / RONDELLE	7.312-004.0	3				
31	FL.RD.SCHR. M 8X 55 / SAUCER-HEAD SCREW / BOULON A TETE BOMBEE	7.303-165.0	3				
33	DICHTSCHNUR / SEAL STRING / CORDE DE BOURRAGE	6.366-009.0	1				
34	STAMPFMASSE 8KG / REFRACTORY MATERIAL / PISE REFRACT. DAME	2.889-061.0	8				
35	BODEN D.K. / BOTTOM / FOND	4.655-044.0	1				
36	6KT-MUTTER M22X1,5 / HEXAGON NUT / ECROU HEXAGONAL	7.311-155.0	2				
37	KNOTENSTUECK / MANIFOLD / FERRURE NODALE	4.427-123.0	1				
38	BRENNEREINSATZ / BURNER CAGE / BRULEUR CAGE	4.663-073.0	1				
39	BRENNERTEIL / BURNER PART / PIECE DE BRULEUR	5.664-179.0	1				
40	SCHEIBE 5 / WASHER / RONDELLE	7.312-002.0	3				
41	ZAHNSCHEIBE A 8,4 / LOCK WASHER / ROUE PLATE	7.312-166.0	3				
42	SCHRAUBE M 5X 16 / SCREW / VIS	7.303-039.0	6				
44	6KT-MUTTER M 5 / HEXAGON NUT / ECROU HEXAGONAL	7.311-002.0	3				
45	ZAHNSCHEIBE A 13,0 / LOCK WASHER / ROUE PLATE	7.312-169.0	3				
46	ZAHNSCHEIBE A 6,4 / LOCK WASHER / ROUE PLATE	7.312-167.0	6				
47	SCHEIBE 8 / WASHER / RONDELLE	7.312-277.0	1				
48	HUTMUTTER M 8 / CAP NUT / ECROU BORGNE	7.311-337.0	1				

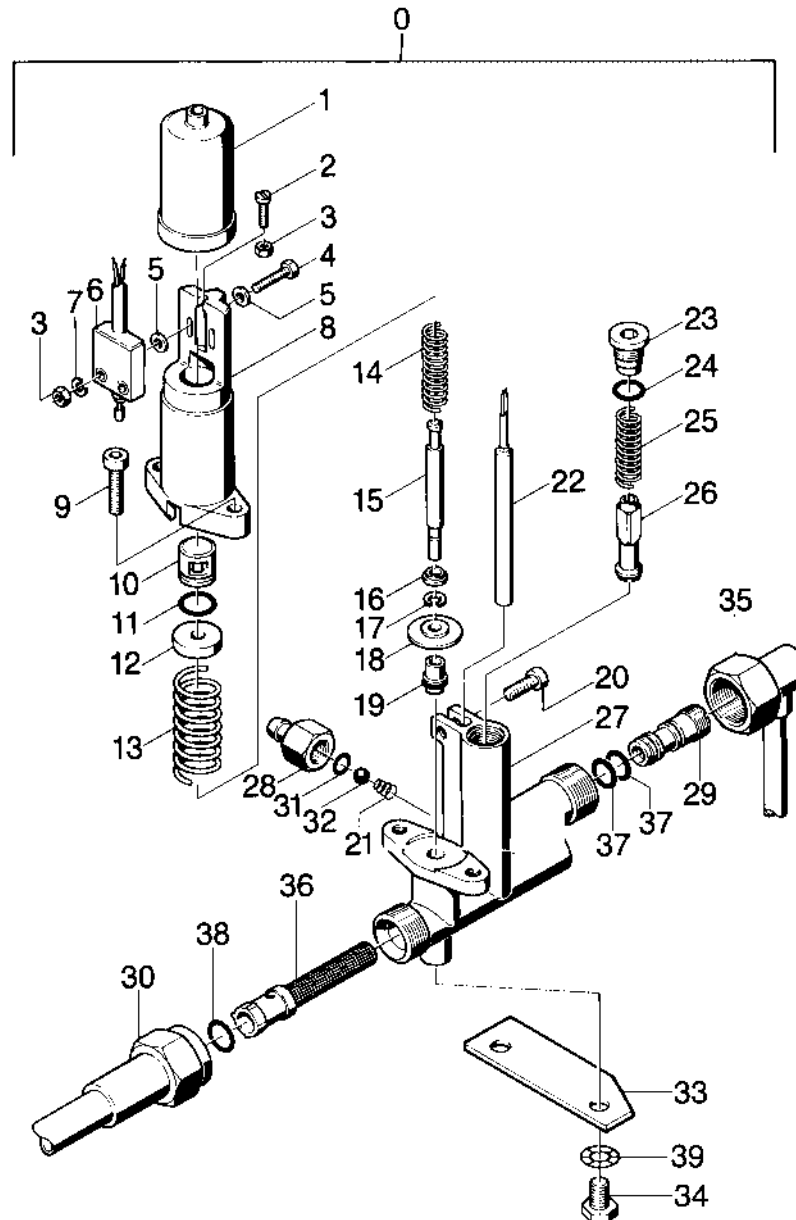
"=> xxxxxx" = bis Werknummer / up to serial No. / jusqu' au No. de fabr. / "xxxxxx =>" = ab Werknummer / from serial No. / a partir du No. de fabr. /

**GRUPPE: 8.0 SICHERHEITSBLOCK**  
**GROUP: 8.0 SAFETY SYSTEM**  
**GRUPPE: 8.0 BLOC DE SECURITE**

**A8**

**HDS 550 C**

**GRUPPE: 8.0 SICHERHEITSBLOCK**  
**GROUP: 8.0 SAFETY SYSTEM**  
**GRUPPE: 8.0 BLOC DE SECURITE**



Symbolbeschreibung siehe M16 / symbol description see M16 / désignation de système voir M16 /



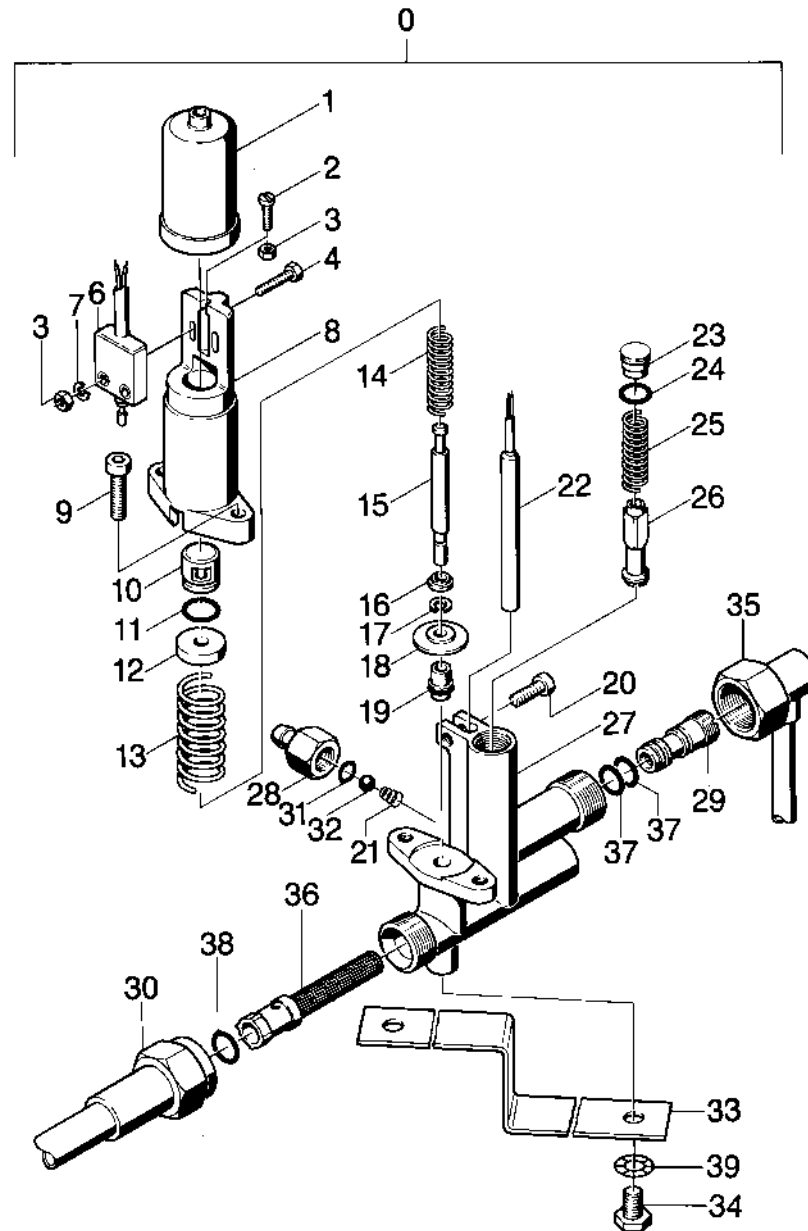
GRUPPE: 8.1 SICHERHEITSBLOCK / / => 13300  
 GROUP: 8.1 SAFETY SYSTEM / / => 13300  
 GROUPE: 8.1 BLOC DE SECURITE / / => 13300

C8

HDS 550 C

POS. ITM. POS.	BENNENNUNG DESCRIPTION DESIGNATION	TEILE-NR. PART-NO. NO.PIECE	STCK QTY. NBR.	POS. ITM. POS.	BENNENNUNG DESCRIPTION DESIGNATION	TEILE-NR. PART-NO. NO.PIECE	STCK QTY. NBR.
0	SICHERHEITSBLOCK / SAFETY SYSTEM / BLOC DE SECURITE	4.749-076.0	1	32	KUGEL 7,0 / BALL / BOULE	7.401-908.0	1
1	SCHUTZTEIL / PROTECTION PART / PARTIE PROTECTEUR	5.394-060.0	1	33	HALTER / BRACKET / FIXATION	5.042-420.0	1
2	SCHRAUBE M 3X 16 / SCREW / VIS	7.306-054.0	1	34	6KT-SCHR. M 8X 12 / HEXAGONAL HEAD SCREW / VIS HEXAGONAL	7.304-394.0	1
3	6KT-MUTTER M 3 / HEXAGON NUT / ECROU HEXAGONAL	7.311-000.0	3	35	ROHRLEITUNG / PIPELINES / CONDUITE	4.421-037.0	1
4	6KT-SCHR. M 3X 20 / HEXAGONAL HEAD SCREW / VIS HEXAGONAL	7.304-352.0	2	36	SIEB / STRAINER / CREPINE	6.414-327.0	1
6	MIKROSCHALTER / MICRO SWITCH / MICRORUPTEUR	6.631-125.0	1	37	O-RING 9,0 X 1,5 / GASKET / BAQUE D'ETANCHEITE	6.362-384.0	2
7	FEDERRING B 3 / SPRING WASHER / RONDELLE GROWER	7.313-000.0	2	38	ERSATZTEILSET / SPARE PARTS KIT / KIT DE PIECES	2.880-296.0	1
8	GEHAEUSE / HOUSING / BOITIER	5.060-099.0	1	39	ZAHNSCHEIBE A 8,4 / LOCK WASHER / ROUE PLATE	7.312-166.0	1
9	ZYL.SCHR. M 6X 25 / CHEESE HEAD SCREW / VIS A TETE CYLINDR.	7.306-023.0	2				
10	KOLBEN / PISTON / PISTON	5.553-046.0	1				
11	O-RING 12,0 X 2,0 / GASKET / BAQUE D'ETANCHEITE	6.362-169.0	1				
12	BUCHSE / BUSH / DOUILLE	5.112-100.0	1				
13	SCHRAUBENFEDER / HELICAL SPRING / RESSORT CYLINDRIQUE	5.332-069.0	1				
14	SCHRAUBENFEDER / HELICAL SPRING / RESSORT CYLINDRIQUE	5.332-070.0	1				
15	STANGE / BAR / TIGE	5.107-023.0	1				
16	BUCHSE / BUSH / DOUILLE	5.112-094.0	1				
17	S-SCHEIBE 4 / LOCK WASHER / RONDELLE D'ARRET	7.343-203.0	1				
18	SCHEIBE / WASHER / RONDELLE	5.115-147.0	1				
19	KOLBEN / PISTON / PISTON	4.553-025.0	1				
20	LINSENSCHR. M 5X 16 / OVAL HEAD SCREW / VIS A TETE BOMBEE	7.306-308.0	1				
21	SCHRAUBENFEDER / HELICAL SPRING / RESSORT CYLINDRIQUE	5.332-124.0	1				
22	ERSATZREEDSCHALTER / SPARE REED SWITCH / INTERRUPT.REED DE RESERVE	2.880-194.0	1				
23	FORMSCHRAUBE / SCREW / VIS	5.305-120.0	1				
24	O-RING 10,0 X 2,0 / GASKET / BAQUE D'ETANCHEITE	6.362-151.0	1				
25	SCHRAUBENFEDER / HELICAL SPRING / RESSORT CYLINDRIQUE	5.332-057.0	1				
26	KOLBEN / PISTON / PISTON	4.553-022.0	1				
27	GEHAEUSE (NACHARBEIT) NT / HOUSING / BOITIER	5.060-270.0	1				
28	SCHLAUCHNIPPEL / HOSE STEM / RACCORD DE FLEXIBLE	5.443-202.0	1				
29	DUESENEINSATZ / NOZZLE INSERT / INSERT DE BUSE	5.769-077.0	1				
30	HD-SCHLAUCH DN 8 / HIGH PRESSURE HOSE / TUYAU FLEXIBLE HAUTE PRE.	6.388-910.0	1				
31	O-RING 6,0 X 2,0 / GASKET / BAQUE D'ETANCHEITE	6.362-383.0	1				

"=> xxxxxx" = bis Werknummer / up to serial No. / jusqu' au No. de fabr. / "xxxxxx =>" = ab Werknummer / from serial No. / a partir du No. de fabr. /



Symbolbeschreibung siehe M16 / symbol description see M16 / désignation de système voir M16 /

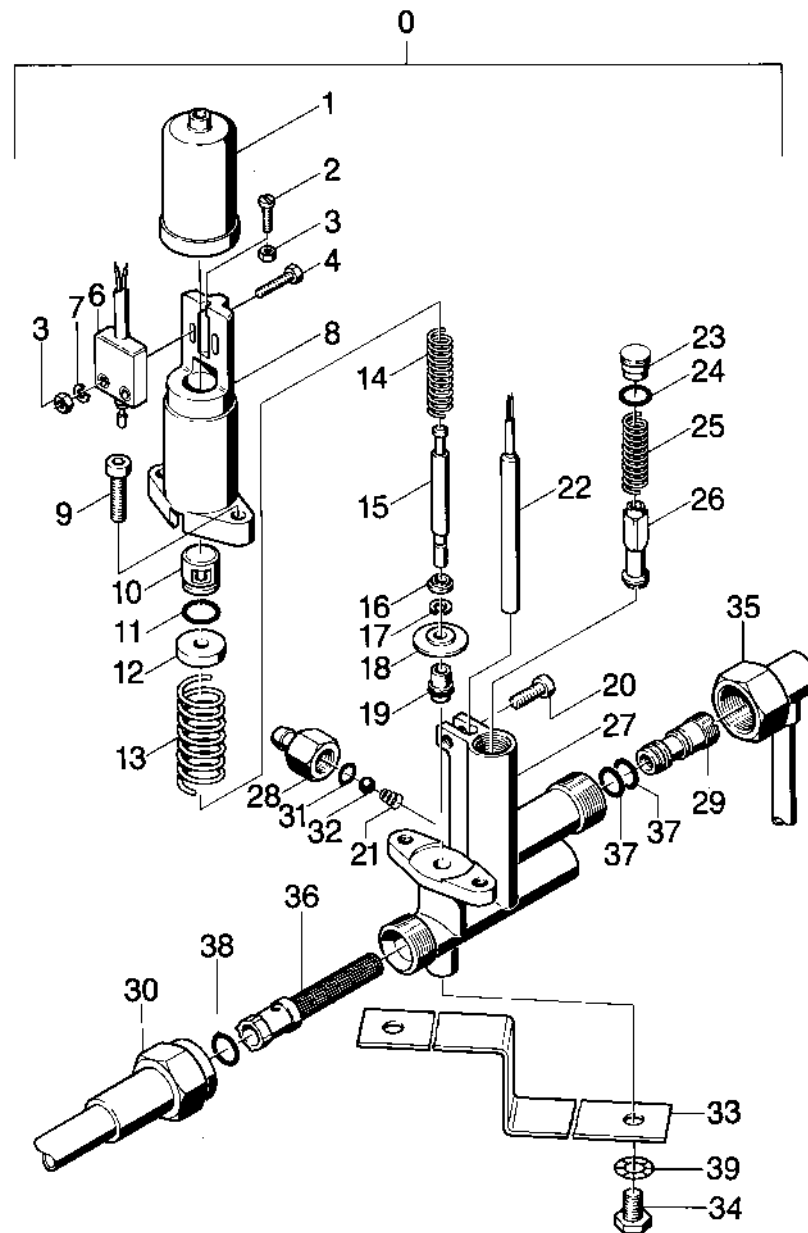
GRUPPE: 8.2 SICHERHEITSBLOCK / 13306 => / => 19860  
 GROUP: 8.2 SAFETY SYSTEM / 13306 => / => 19860  
 GROUPE: 8.2 BLOC DE SECURITE / 13306 => / => 19860

**E8**

**HDS 550 C**

POS. ITM. POS.	BENNENNUNG DESCRIPTION DESIGNATION	TEILE-NR. PART-NO. NO.PIECE	STCK QTY. NBR.	POS. ITM. POS.	BENNENNUNG DESCRIPTION DESIGNATION	TEILE-NR. PART-NO. NO.PIECE	STCK QTY. NBR.
0	SICHERHEITSBLOCK / SAFETY SYSTEM / BLOC DE SECURITE	4.749-076.0	1	32	KUGEL 7,0 / BALL / BOULE	7.401-908.0	1
1	SCHUTZTEIL / PROTECTION PART / PARTIE PROTECTEUR	5.394-060.0	1	33	HALTER / BRACKET / FIXATION	5.042-468.0	1
2	SCHRAUBE M 3X 16 / SCREW / VIS	7.306-054.0	1	34	6KT-SCHR. M 8X 12 / HEXAGONAL HEAD SCREW / VIS HEXAGONAL	7.304-394.0	1
3	6KT-MUTTER M 3 / HEXAGON NUT / ECROU HEXAGONAL	7.311-000.0	3	35	ROHRLEITUNG / PIPELINES / CONDUITE	4.421-064.0	1
4	6KT-SCHR. M 3X 20 / HEXAGONAL HEAD SCREW / VIS HEXAGONAL	7.304-352.0	2	36	SIEB / STRAINER / CREPINE	6.414-327.0	1
6	MIKROSCHALTER / MICRO SWITCH / MICRORUPTEUR	6.631-125.0	1	37	O-RING 9,0 X 1,5 / GASKET / BAQUE D'ETANCHEITE	6.362-384.0	2
7	FEDERRING B 3 / SPRING WASHER / RONDELLE GROWER	7.313-000.0	2	38	ERSATZTEILSET / SPARE PARTS KIT / KIT DE PIECES	2.880-296.0	1
8	GEHAEUSE / HOUSING / BOITIER	5.060-099.0	1	39	ZAHNSCHEIBE A 8,4 / LOCK WASHER / ROUE PLATE	7.312-166.0	1
9	ZYL.SCHR. M 6X 25 / CHEESE HEAD SCREW / VIS A TETE CYLINDR.	7.306-023.0	2				
10	KOLBEN / PISTON / PISTON	5.553-046.0	1				
11	O-RING 12,0 X 2,0 / GASKET / BAQUE D'ETANCHEITE	6.362-169.0	1				
12	BUCHSE / BUSH / DOUILLE	5.112-100.0	1				
13	SCHRAUBENFEDER / HELICAL SPRING / RESSORT CYLINDRIQUE	5.332-069.0	1				
14	SCHRAUBENFEDER / HELICAL SPRING / RESSORT CYLINDRIQUE	5.332-070.0	1				
15	STANGE / BAR / TIGE	5.107-023.0	1				
16	BUCHSE / BUSH / DOUILLE	5.112-094.0	1				
17	S-SCHEIBE 4 / LOCK WASHER / RONDELLE D'ARRET	7.343-203.0	1				
18	SCHEIBE / WASHER / RONDELLE	5.115-147.0	1				
19	KOLBEN / PISTON / PISTON	4.553-025.0	1				
20	LINSENSCHR. M 5X 16 / OVAL HEAD SCREW / VIS A TETE BOMBEE	7.306-308.0	1				
21	SCHRAUBENFEDER / HELICAL SPRING / RESSORT CYLINDRIQUE	5.332-124.0	1				
22	ERSATZREEDSCHALTER / SPARE REED SWITCH / INTERRUPT.REED DE RESERVE	2.880-194.0	1				
23	FORMSCHRAUBE / SCREW / VIS	5.305-120.0	1				
24	O-RING 10,0 X 2,0 / GASKET / BAQUE D'ETANCHEITE	6.362-151.0	1				
25	SCHRAUBENFEDER / HELICAL SPRING / RESSORT CYLINDRIQUE	5.332-057.0	1				
26	KOLBEN / PISTON / PISTON	4.553-022.0	1				
27	GEHAEUSE (NACHARBEIT) NT / HOUSING / BOITIER	5.060-270.0	1				
28	SCHLAUCHNIPPEL / HOSE STEM / RACCORD DE FLEXIBLE	5.443-202.0	1				
29	DUESENEINSATZ / NOZZLE INSERT / INSERT DE BUSE	5.769-077.0	1				
30	HD-SCHLAUCH DN 8 / HIGH PRESSURE HOSE / TUYAU FLEXIBLE HAUTE PRE.	6.388-910.0	1				
31	O-RING 6,0 X 2,0 / GASKET / BAQUE D'ETANCHEITE	6.362-383.0	1				

"=> xxxxxx" = bis Werknummer / up to serial No. / jusqu' au No. de fabr. / "xxxxxx =>" = ab Werknummer / from serial No. / a partir du No. de fabr. /



Symbolbeschreibung siehe M16 / symbol description see M16 / désignation de système voir M16 /

GRUPPE: 8.3 SICHERHEITSBLOCK / 19861 =>  
 GROUP: 8.3 SAFETY SYSTEM / 19861 =>  
 GROUPE: 8.3 BLOC DE SECURITE / 19861 =>

**G8**

**HDS 550 C**

POS. ITM. POS.	BENNENNUNG DESCRIPTION DESIGNATION	TEILE-NR. PART-NO. NO.PIECE	STCK QTY. NBR.	POS. ITM. POS.	BENNENNUNG DESCRIPTION DESIGNATION	TEILE-NR. PART-NO. NO.PIECE	STCK QTY. NBR.
0	SICHERHEITSBLOCK / SAFETY SYSTEM / BLOC DE SECURITE	4.749-076.0	1	32	KUGEL 7,0 / BALL / BOULE	7.401-908.0	1
1	SCHUTZTEIL / PROTECTION PART / PARTIE PROTECTEUR	5.394-060.0	1	33	HALTER / BRACKET / FIXATION	5.042-468.0	1
2	SCHRAUBE M 3X 16 / SCREW / VIS	7.306-054.0	1	34	6KT-SCHR. M 8X 12 / HEXAGONAL HEAD SCREW / VIS HEXAGONAL	7.304-394.0	1
3	6KT-MUTTER M 3 / HEXAGON NUT / ECROU HEXAGONAL	7.311-000.0	3	35	ROHRLEITUNG / PIPELINES / CONDUITE	4.421-064.0	1
4	6KT-SCHR. M 3X 20 / HEXAGONAL HEAD SCREW / VIS HEXAGONAL	7.304-352.0	2	36	SIEB / STRAINER / CREPINE	6.414-327.0	1
6	MIKROSCHALTER / MICRO SWITCH / MICRORUPTEUR	6.631-125.0	1	37	O-RING 9,0 X 1,5 / GASKET / BAQUE D'ETANCHEITE	6.362-384.0	2
7	FEDERRING B 3 / SPRING WASHER / RONDELLE GROWER	7.313-000.0	2	38	ERSATZTEILSET / SPARE PARTS KIT / KIT DE PIECES	2.880-296.0	1
8	GEHAEUSE / HOUSING / BOITIER	5.060-099.0	1	39	ZAHNSCHEIBE A 8,4 / LOCK WASHER / ROUE PLATE	7.312-166.0	1
9	ZYL.SCHR. M 6X 25 / CHEESE HEAD SCREW / VIS A TETE CYLINDR.	7.306-023.0	2				
10	KOLBEN / PISTON / PISTON	5.553-046.0	1				
11	O-RING 12,0 X 2,0 / GASKET / BAQUE D'ETANCHEITE	6.362-169.0	1				
12	BUCHSE / BUSH / DOUILLE	5.112-100.0	1				
13	SCHRAUBENFEDER / HELICAL SPRING / RESSORT CYLINDRIQUE	5.332-069.0	1				
14	SCHRAUBENFEDER / HELICAL SPRING / RESSORT CYLINDRIQUE	5.332-070.0	1				
15	STANGE / BAR / TIGE	5.107-023.0	1				
16	BUCHSE / BUSH / DOUILLE	5.112-094.0	1				
17	S-SCHEIBE 4 / LOCK WASHER / RONDELLE D'ARRET	7.343-203.0	1				
18	SCHEIBE / WASHER / RONDELLE	5.115-147.0	1				
19	KOLBEN / PISTON / PISTON	4.553-025.0	1				
20	LINSENSCHR. M 5X 16 / OVAL HEAD SCREW / VIS A TETE BOMBEE	7.306-308.0	1				
21	SCHRAUBENFEDER / HELICAL SPRING / RESSORT CYLINDRIQUE	5.332-124.0	1				
22	ERSATZREEDSCHALTER / SPARE REED SWITCH / INTERRUPT.REED DE RESERVE	2.880-194.0	1				
23	FORMSCHRAUBE / SCREW / VIS	5.305-162.0	1				
24	O-RING 10 X 1,5 / GASKET / BAQUE D'ETANCHEITE	6.362-482.0	1				
25	SCHRAUBENFEDER / HELICAL SPRING / RESSORT CYLINDRIQUE	5.332-057.0	1				
26	KOLBEN / PISTON / PISTON	4.553-022.0	1				
27	GEHAEUSE / HOUSING / BOITIER	5.060-345.0	1				
28	SCHLAUCHNIPPEL / HOSE STEM / RACCORD DE FLEXIBLE	5.443-202.0	1				
29	DUESENEINSATZ / NOZZLE INSERT / INSERT DE BUSE	5.769-077.0	1				
30	HD-SCHLAUCH DN 8 / HIGH PRESSURE HOSE / TUYAU FLEXIBLE HAUTE PRE.	6.388-910.0	1				
31	O-RING 6,0 X 2,0 / GASKET / BAQUE D'ETANCHEITE	6.362-383.0	1				

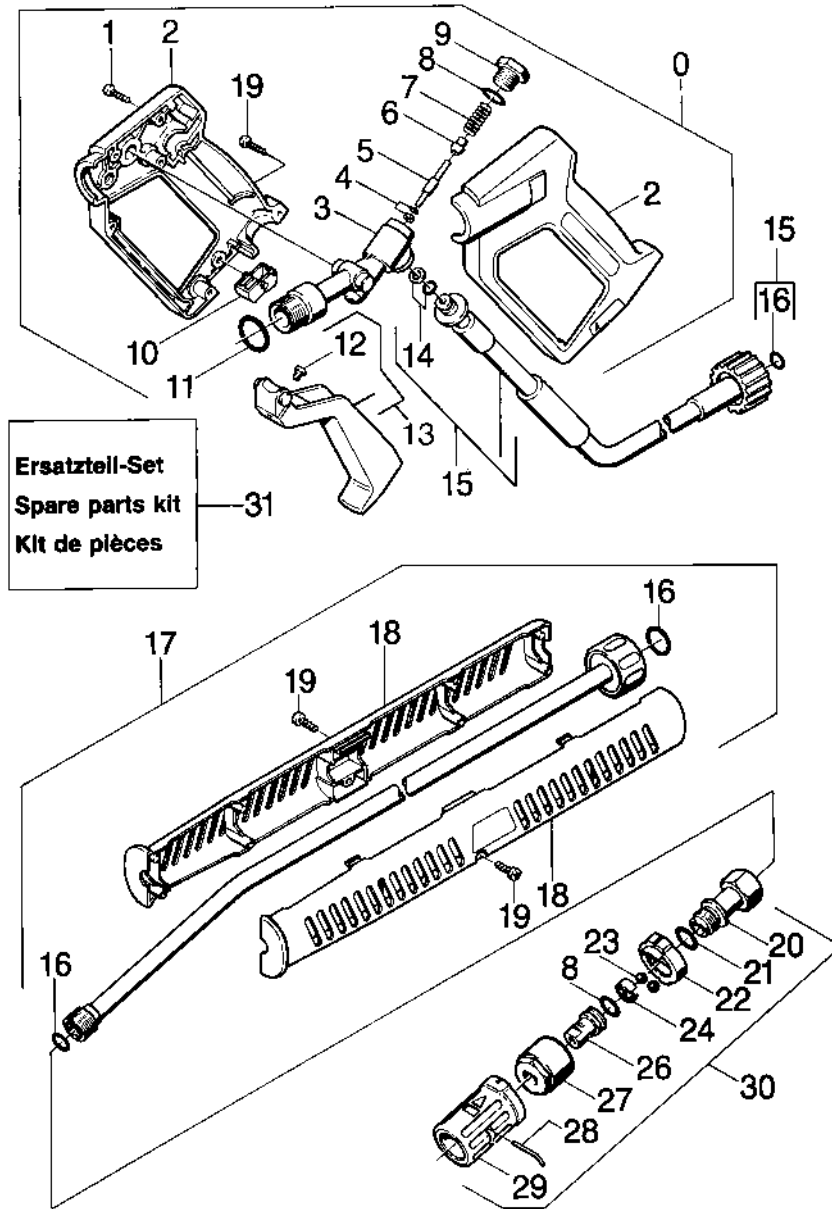
"=> xxxxxx" = bis Werknummer / up to serial No. / jusqu' au No. de fabr. / "xxxxxx =>" = ab Werknummer / from serial No. / a partir du No. de fabr. /

GRUPPE: 9.0 ZUBEHOER  
GROUP: 9.0 ACCESSORIES  
GRUPPE: 9.0 ACCESSOIRES

**A9**

**HDS 550 C**

**GRUPPE: 9.0 ZUBEHOER**  
**GROUP: 9.0 ACCESSORIES**  
**GRUPPE: 9.0 ACCESSOIRES**



Symbolbeschreibung siehe M16 / symbol description see M16 / désignation de système voir M16 /

GRUPPE: 9.0 ZUBEHOER  
GROUP: 9.0 ACCESSORIES  
GROUPE: 9.0 ACCESSOIRES

C9

HDS 550 C

POS. ITM. POS.	BENNENUNG DESCRIPTION DESIGNATION	TEILE-NR. PART-NO. NO.PIECE	STCK QTY. NBR.
0	HANDSPRITZPISTOLE / TRIGGER GUN / POIGNEE PISTOLET	4.775-080.0	1
1	LINSENSCHR. 4,2X22 / OVAL HEAD SCREW / VIS A TETE BOMBEE	6.303-024.0	5
2	GRIFFPAAR / HANDLES / BRANCHES POIGNEE	5.321-230.0	1
3	KNOTENSTUECK / MANIFOLD / FERRURE NODALE	4.427-131.0	1
4	O-RING KPL./1ST.-R. / GASKET / BAQUE D'ETANCHEITE	6.362-571.0	1
5	STANGE / BAR / TIGE	5.107-097.0	1
6	VENTILTELLER / VALVE DISC / TETE DE SOUPAPE	5.582-084.0	1
7	SCHRAUBENFEDER / HELICAL SPRING / RESSORT CYLINDRIQUE	5.332-157.0	1
8	O-RING 12,42X 1,78 / GASKET / BAQUE D'ETANCHEITE	6.362-584.0	1
9	VERSCHLUSSCHRAUBE / CLOSING SCREW / VIS DE FERMETURE	5.411-067.0	1
10	HEBEL / LEVER / LEVIER	5.481-052.0	1
11	O-RING 17,12X 2,62 / GASKET / BAQUE D'ETANCHEITE	6.362-496.0	1
12	GEW.STIFT M 8X 16 / THREADED PIN / VIS SANS TETE	7.307-417.0	1
13	HEBEL / LEVER / LEVIER	4.481-050.0	1
14	O-RING KPL./1ST.-R. / GASKET / BAQUE D'ETANCHEITE	6.363-115.0	1
15	HD-SCHLAUCH DN 6 / HIGH PRESSURE HOSE / TUYAU FLEXIBLE HAUTE PRE.	6.389-056.0	1
16	ERSATZTEILSET / SPARE PARTS KIT / KIT DE PIECES	2.880-296.0	1
17	STRAHLROHR / JET PIPE / LANCE D'INCENDIE	4.760-108.0	1
18	GRIFF / HANDLE / POIGNEE	5.321-151.0	2
19	LINSENSCHR. 4,2X16 / OVAL HEAD SCREW / VIS A TETE BOMBEE	6.303-025.0	3
20	SCHRAUBSTUTZEN KPL. / SCREW UNION / RACCORD FILETE	4.402-040.0	1
21	O-RING 14,0 X 2,5 / GASKET / BAQUE D'ETANCHEITE	6.362-460.0	1
22	FORMTEIL / MOULDED PART / PREFORME	5.030-383.0	1
23	KUGEL 6,0 / BALL / BOULE	7.401-918.0	1
24	HALTER / BRACKET / FIXATION	5.042-283.0	1
25	O-RING 12,42X 1,78 / GASKET / BAQUE D'ETANCHEITE	6.362-480.0	1
26	ZWEISTRALDUESE / TWO NOZZLE / BUSE A DOUBLE JET	6.415-483.0	1
27	6KT-MUTTER / HEXAGON NUT / ECROU HEXAGONAL	5.311-117.0	1
28	HAKEN / HOOK / PATERE	5.037-035.0	1
29	SCHUTZTEIL / PROTECTION PART / PARTIE PROTECTEUR	5.394-155.0	1
30	SONDERDUESE / SPECIAL NOZZLE / BUSE SPECIALE	4.763-092.0	1

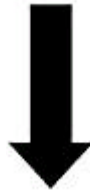
"=> xxxxxx" = bis Werknummer / up to serial No. / jusqu' au No. de fabr. / "xxxxxx =>" = ab Werknummer / from serial No. / a partir du No. de fabr. /



## Bestellhinweis

Bei Ihrer Bestellung sind unbedingt anzugeben :

- |  |  |   |                                    |                                    |
|--|--|---|------------------------------------|------------------------------------|
| <b>1.</b>                                      | <b>2.</b>                                  | <b>3.</b>                               | <b>4.</b>                          | <b>5.</b>                          |
| Gerätetyp<br>Machine model<br>Type d'appareils | Herstell-Nr.<br>Serial-No.<br>No. de série | Benennung<br>Description<br>Désignation | Teile-Nr.<br>Part No.<br>Référence | Stückzahl<br>Piece No.<br>Quantité |



**siehe Typenschild  
see name-plate  
voir plaque signalétique**



**siehe Ersatzteilliste  
see spare parts list  
voir liste des pièces de rechange**

- Die Ersatzteile, welche als Meterware geliefert werden, sind auf Einbaulänge selbst zu kürzen. Ebenso sind die Stückzahlen in den jeweiligen Gruppen als Mindestbestellmengen = 1m angegeben und können je nach Bedarf auf weitere volle Meterzahlen erhöht und bestellt werden.
- Spare Parts which are delivered as cut goods have to be shortened to installation length. The quotation of quantity in each group refers to the minimum order quantity = 1m and may be ordered and raised to further full metre-values according to demand
- Les pièces de rechange qui sont livrées comme marchandise au mètre sont à raccourcir selon la longueur d'installation. Les indications de quantité dans chaque group se réfèrent à des valeurs de mètre de plus.
- Diese Ersatzteilliste erscheint in gedruckter Form sowie als Mikrofiche. Bei Querverweisen bezieht sich die Angabe "Seitenzahl" auf die gedruckte Ersatzteilliste und die Angabe "Bildtafel" auf die Mikrofichenausgabe.
- This spare parts list is published both in printed form and as a microfiche. In the cross-references, "page number" refers to the printed spare parts list and "display table" to the microfilm edition.
- Cette liste de pièces de rechange est aussi bien imprimée que publiée sous forme de microfiche. Les indications transversales renvoient au "numéro de page" sur la liste imprimée des pièces de rechange et à la "planche" sur la microfiche.

Bitte beachten Sie, daß der Teileumfang dieser Ersatzteilliste nicht unbedingt dem Lieferumfang Ihres Gerätes entspricht.

For your information: It could be that certain parts quoted in this spare parts list were not included with the machine delivery.

Pour votre information: il se peut que certaines pièces détachées mentionnées sur la liste ne vous aient pas été livrées avec l'appareil.

Die in dieser Ersatzteilliste nicht aufgeführten Einzelteile, bestellen Sie bitte direkt beim Vertragskundendienst des jeweiligen Herstellers.

Please order the individual parts not included in this assembly directly with the contract aftersales service of the manufacturer in question.

Veillez s'il vous plaît, commander les pièces détachées qui ne sont indiquées dans notre liste des pièces détachées, directement auprès du service après-vente des fabricants en question.

Bei Bestellung von lackierten Teilen, welche in der Ersatzteilliste nicht in verschiedenen Farben ausgewiesen sind, ist zusätzlich die Farbnummer oder Farbe mit anzugeben. Diese finden Sie auf dem Typenschild oder Farbschild Ihres Gerätes.

Upon ordering of varnished parts which are not mentioned in the spare parts list as parts with different colors, kindly additionally mention the number of the color. It can be seen on the type plate of the color plate of your machine.

Commandant des parts vernissés qui ne sont pas mentionnés comme parts avec une couleur différente dans la liste des pièces détachées, veuillez mentionner de plus le numéro de la couleur. Il se trouve sur la plaque signalétique ou la plaque de couleur de votre machine.

Auflistungen von Einzelteilen bei Ersatzteil - u. Pumpensets sind in der Reihe "16" einzusehen, bzw. direkt unter dem entsprechenden Set aufgelistet.

Listings of single parts upon spare parts kits and pump kits can be seen in row "16" or directly listed below the corresponding kit.  
Des établissements des pièces détachées en ce qui concerne les kits des pièces de rechange et les kits de pompes, peuvent être vus à la ligne "16" ou ils sont répertoriés directement au-dessous du jeu correspondant.

Technische Änderungen im Rahmen der Weiterentwicklung sowie das Recht der ausschließlichen Auswertung unseres geistigen Eigentums behalten wir uns vor. Vervielfältigung und Nachdruck nur mit Genehmigung und Urheberhinweis möglich.

We reserve the right to make technical changes in the course of development work and the right to make exclusive use of our intellectual property. This spare parts list may be duplicated or reprinted only with our approval and with acknowledgement of our copyright.

Nous nous réservons le droit de toutes modifications techniques dans le cadre du perfectionnement des mises au point ainsi que le droit de la mise en valeur exclusive de notre propriété intellectuelle. Polycopie et reproduction exclusivement après accord et avec mention de l'auteur.

GRUPPE: 1.0 EINZELTEILE A1-E1  
 GROUP: 1.0 PIECE PARTS  
 GROUPE: 1.0 PIECES CONSTITUANTES

GRUPPE: 2.0 PUMPENSATZ A2-C2  
 GROUP: 2.0 PUMP SET  
 GROUPE: 2.0 JEU (ENSEMBLE) DE POMPE

GRUPPE: 3.0 MOTOR A3-E3  
 GROUP: 3.0 MOTOR  
 GROUPE: 3.0 MOTEUR

GRUPPE: 4.0 GEBLAESE A4-C4  
 GROUP: 4.0 BLOWER  
 GROUPE: 4.0 VENTILATEUR


GRUPPE: 5.0 BRENNSTOFFPUMPE A5-C5  
 GROUP: 5.0 FUEL PUMP  
 GROUPE: 5.0 POMPE DE COMBUSTIBLE


GRUPPE: 6.0 E-GERAETESCHRANK A6-E6  
 GROUP: 6.0 ELECTRIC CONTROL BOX  
 GROUPE: 6.0 COFFRET ELECTRIQUE


GRUPPE: 7.0 DURCHLAUFERHITZER A7-E7  
 GROUP: 7.0 FLOW HEATER  
 GROUPE: 7.0 CHAUFFE-EAU RAPIDE

GRUPPE: 8.0 SICHERHEITSBLOCK A8-G8  
 GROUP: 8.0 SAFETY SYSTEM  
 GROUPE: 8.0 BLOC DE SECURITE

GRUPPE: 9.0 ZUBEHOER A9-C9  
 GROUP: 9.0 ACCESSORIES  
 GROUPE: 9.0 ACCESSOIRES

 BEISPIEL: VERSION 1  
 EXAMPLE: VERSION 1  
 EXEMPLE: VERSION 1

 BEISPIEL: SIEHE IN GRUPPE 3  
 EXAMPLE: SEE IN GROUP 3  
 EXEMPLE: VOIR EN GROUPE 3

 WICHTIGER HINWEIS  
 IMPORTANT REMARK  
 REMARCAQUAGE IMPORTANT

BESTELLHINWEIS SIEHE M15  
 EXAMPLE ORDER SEE M15  
 EXEMPLE DE COMMANDE VOIR M15

VARIANTENÜBERSICHT SIEHE L16  
 VARIANTS SURVEY SEE L16  
 VUE D'ENSEMBLE DE VARIANTS VOIR L16